

SFW.

ELESA Original design

Double-valve pressurised breather caps



EXTENDED RANGE



Material

Polyamide based (PA) technopolymer. Resistant to solvents, oils, greases and other chemical agents.
 - Cover: RAL 2004 orange, semi-matte finish, with graphic symbol "valve".
 - Threaded connector: black colour, semi-matte finish.

Flat packing ring

NBR synthetic rubber.

Overpressure valve

Technopolymer with NBR synthetic rubber O-ring and stainless steel spring. Set at around 0.350 bar (on request 0.700 bar).

Suction valve

Technopolymer sealing disk with NBR synthetic rubber O-ring and stainless steel spring. Set at around 0.030 bar.

Ring-shaped air filter

"Tech-foam" polyurethane foam mesh (polyester base), air filtration 40 µ.

Flat dipstick

Flat section phosphatised steel.

On request and for sufficient quantities dipstick can be supplied in different lengths and/or complete with MAX-MIN level lines.

Standard executions available

- **SFW+F**: without fl at dipstick.
- **SFW-BA+F**: with zinc-plated steel sheet bayonet, without fl at dipstick. Chrome-plated steel safety chain.
- **SFW+F+a**: without fl at dipstick.
- **SFW-BA+F+a**: with zinc-plated steel sheet bayonet and fl at dipstick. Chrome-plated steel safety chain.

Maximum continuous working temperature

100°C.

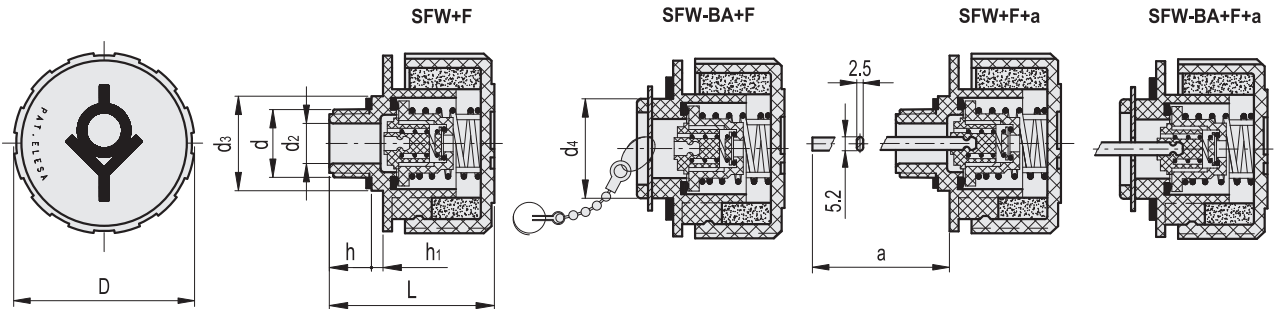
Special executions on request

- Black cover.
- Threaded connector also with NPT thread (National Taper pipe Thread - ANSI-ASME B1-20) for the codes marked with # in the table.

15

688

Accessories for hydraulic systems



Standard Elements		Main dimensions								△△
Code	Description	d	h	D	L	d2	d3	d4	h1	g
54801	SFW.57-3/4+F-350 mb	G 3/4	13	57	48	16	35	-	6	67
54911#	SFW.70-3/4+F-350 mb	G 3/4	15	70	63	16	35	-	6	98
54921	SFW.70-1¼+F-350 mb	G 1¼	17	70	59	25	-	-	-	101
54931	SFW.70-2+F-350 mb	G 2	17	70	59	25	-	-	-	108
54941	SFW.70-BA+F-350 mb	-	14	70	56	25	-	39	-	105

Standard Elements		Main dimensions								△△	
Code	Description	d	h	D	L	d2	d3	d4	h1	a	g
54913#	SFW.70-3/4+F+a-350 mb	G 3/4	15	70	63	16	35	-	6	188	117
54923	SFW.70-1¼+F+a-350 mb	G 1¼	17	70	59	25	-	-	-	195	120
54943	SFW.70-BA+F+a-350 mb	-	14	70	56	25	-	39	-	195	124

Types available on request with NPT thread (National Taper pipe Thread - ANSI-ASME B1-20).



ELESA and GANTER models all rights reserved in accordance with the law. Always mention the source when reproducing our drawings.

SFW. pressurised breather cap functioning in a hydraulic circuit

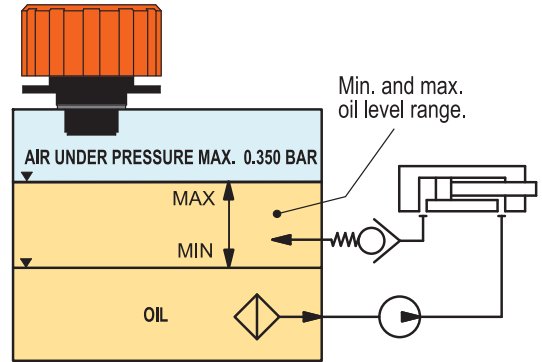
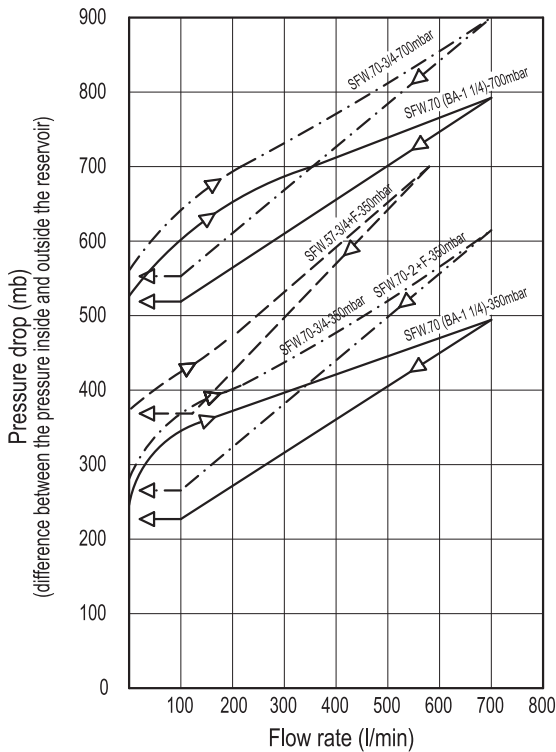
Features

The use of SFW. pressurised breather caps which create a pressure plenum right above the oil level within tested limit conditions, in order to avoid any reservoir deformation, offers the following advantages:

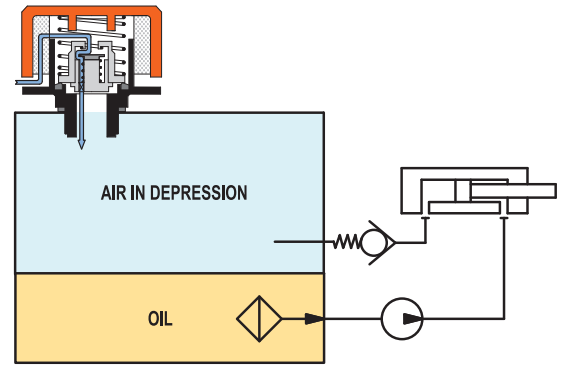
- reduces reservoir air volume intake keeping clean oil and filter
- improves suction pump action during working conditions reducing cavitation phenomenon
- prevents fluid leakage when the system is part of a mobile unit
- reduces foam in fluid.

Technical data

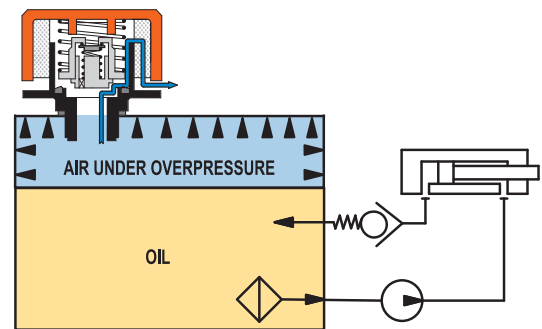
Air flow rate for each model can be determined from the graph calculating the difference between the pressure inside and outside the reservoir.



Normal working conditions



When in the reservoir a depression under 0.030 bar is produced, a flux of air entering the reservoir through the suction valve takes place.



When in the reservoir an over pressure exceeding 0.350 (or 0.700) bar is produced, a flux of air is discharged through the safety valve.