

HGFT.

ELESA Original design

Oil level indicators



Material

Polyamide based (PA) technopolymer. Resistant to solvents, oils, greases and other chemical agents.

Colour

Black or red, glossy finish.
(HGFT/SL: only black colour).

Window

Transparent polyamide based (PA-T/AR) technopolymer. Resistant to alcohol, solvents, oils with additives, greases, acids and alkali.

Flat packing ring

NBR synthetic rubber.

Standard executions

- **HGFT.**: with matte anodised aluminium star-shaped contrast screen with red central level point.
- **HGFT/SL**: without contrast screen.

Maximum continuous working temperature

100°C at 3 bar pressure.

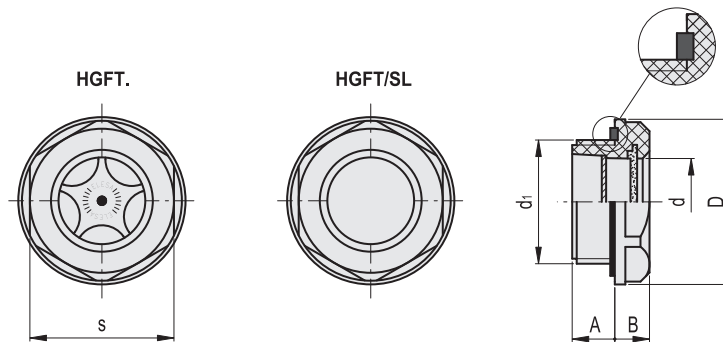
Accessories on request

Brass nut type GH. (see catalogue 038, page 1006) for fitting to reservoirs with wall thickness smaller than 5 mm.

Note

For use with fluids containing special additives, please contact ELESA Sales Department.

EXTENDED RANGE



* Complete with colour index, example: 14441 HGFT.10-3/8-C9



15
690

Accessories for hydraulic systems

| Standard Elements | | | Main dimensions | | | | | | Tightening torque | Δ |
|-------------------|-------|--------------|-----------------|-----|-----|------|------|----|-------------------|----------|
| C9 | C6 | Description | d ₁ | A | B | D | d | s | [Nm] | g |
| Code | | | | | | | | | | |
| 14441 | 14444 | HGFT.10-3/8* | G 3/8 | 8 | 7 | 24 | 11 | 22 | 4÷8 | 4 |
| 14461 | 14464 | HGFT.13-1/2* | G 1/2 | 10 | 8.5 | 28 | 14.5 | 24 | 6÷8 | 6 |
| 14481 | 14484 | HGFT.16-3/4* | G 3/4 | 9.5 | 8.5 | 35 | 18 | 32 | 8÷10 | 10 |
| 14521 | 14524 | HGFT.21-1* | G 1 | 11 | 9.5 | 42.5 | 23 | 38 | 10÷12 | 15 |
| 14541 | 14544 | HGFT.25-1¼* | G 1¼ | 11 | 9 | 50 | 30 | 46 | 12÷15 | 30 |
| 14561 | 14564 | HGFT.40-2* | G 2 | 12 | 11 | 68 | 40 | 62 | 12÷15 | 60 |

| Standard Elements | | Main dimensions | | | | | | Tightening torque | Δ |
|-------------------|----------------|-----------------|-----|-----|------|------|----|-------------------|----------|
| Code | Description | d ₁ | A | B | D | d | s | [Nm] | g |
| 14446 | HGFT.10/SL-3/8 | G 3/8 | 8 | 7 | 24 | 11 | 22 | 4÷8 | 3 |
| 14466 | HGFT.13/SL-1/2 | G 1/2 | 10 | 8.5 | 28 | 14.5 | 24 | 6÷8 | 5 |
| 14486 | HGFT.16/SL-3/4 | G 3/4 | 9.5 | 8.5 | 35 | 18 | 32 | 8÷10 | 9 |
| 14526 | HGFT.21/SL-1 | G 1 | 11 | 9.5 | 42.5 | 23 | 38 | 10÷12 | 14 |
| 14546 | HGFT.25/SL-1¼ | G 1¼ | 11 | 9 | 50 | 30 | 46 | 12÷15 | 29 |
| 14566 | HGFT.40/SL-2 | G 2 | 12 | 11 | 68 | 40 | 62 | 12÷15 | 59 |



ELESA and GANTER models all rights reserved in accordance with the law. Always mention the source when reproducing our drawings.