

HFL-E

Rapid levels with float



Material

Polyamide-based technopolymer (PA), colour grey. Resistant to solvents, oils, greases and other chemicals.

Packing rings

- TPE flat gasket (HFL-EF).
- NBR synthetic rubber O-Ring (HFL-ER).

Connector with sensor block

Side output, grey colour, with a built-in reed switch. It offers protection class IP 65 according to UNI 529 (see catalogue 038, page 503) table against water sprays.

For a correct assembly see Warnings (see page) .

Dipstick

AISI 304 stainless steel tube, fastened to the body by a nickel-plated brass coupler.

Float

NBR synthetic rubber.

Standard executions

- **HFL-EF**: assembly by means of a flange with 3 holes at 120° for 3 zinc-plated steel screws with hexagon socket, supplied. It can be assembled also with 2 holes at 180°.
- **HFL-ER**: assembly by means of a 1" Gas threaded coupler.

Maximum continuous working temperature

80°C.

Special executions on request

- Level indicators in different materials for use with particularly aggressive fluids and/or maximum working temperature up to 120°C.
- Dipsticks in different lengths and/or in AISI 316 stainless steel. Float with through holes to allow positioning according to different needs, avoiding cutting the dipstick. Double dipstick and double float manufactured for double minimum and maximum level reading.

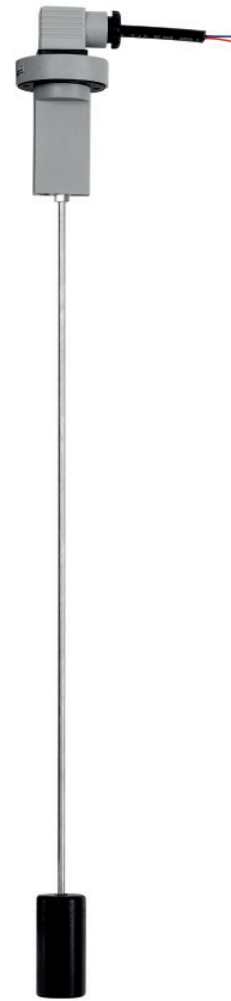
Features and applications

HFL-E rapid levels show a minimum or maximum default level, according to the application needs.

Highly versatile, these rapid levels allow to define the most accurate set point by simply disassembling the dipstick float and cutting the dipstick exactly where needed, according to the specifications shown in the table.

Free from magnetic parts, the float is integral to the dipstick making this level indicator ideal for use in tanks containing dirty liquids, water, oil, coolant oil, also with iron metal parts or foams. Moreover, the operation is independent of the fluid electrical conductivity.

To ensure utmost safety, the electrical components are separated from the tank and perfectly sealed by means of ultrasound welding.



Electric characteristics	
Power supply	AC / DC
Electric contacts	NO normally open in the presence of liquid
	NC normally closed in the presence of liquid
Maximum commutable voltage	230 Vdc, 230 Vac
Maximum opening capacity	3 A
Commutable power	60 W 60 VA
Cable gland	Pg9 / Pg11 UNIFIED
Conductors cross-section	Max 1.5 mm ²

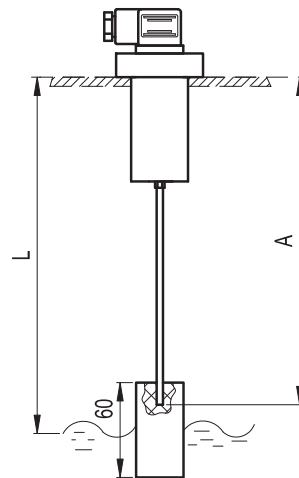
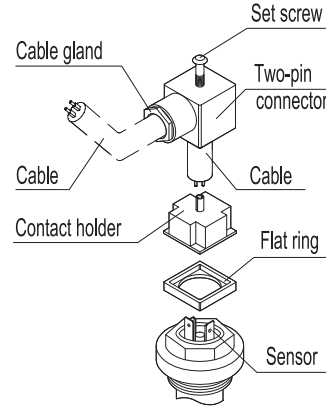
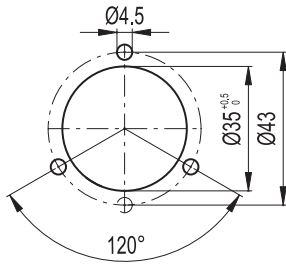


Table for cutting dipstick	
Control quote L=(mm)	Dipstick cut quote for minimum level A=(mm)
120	116
140	137
160	158
180	179
200	200
220	221
240	242
260	263
280	284
300	305
320	326
340	347
360	368
380	389
400	410
420	431
440	452
460	473
480	494
500	515

Two-pin connectors assembly instructions

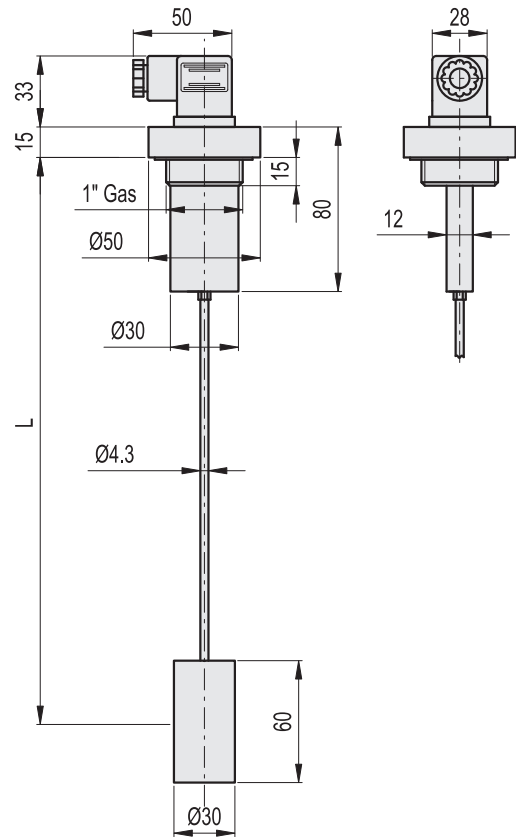
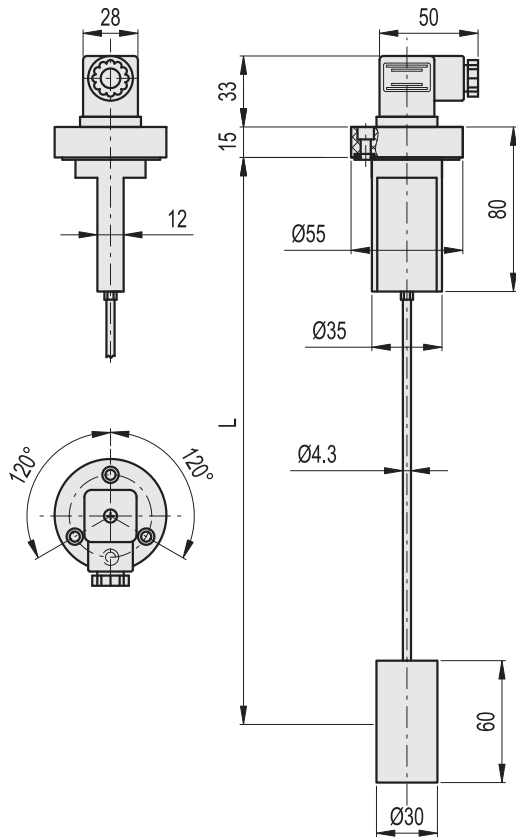
1. Remove the connectors from the indicator by unscrewing the set screw placed in the bottom, take the contact holders out and loosen the cable glands.
2. Slip on the two-pole cable into the connectors (standard connectors) and connect the wires to the terminals nr. 1 and nr. 2 of the relative contact holders.
3. Assemble by pressing the contact holders into the relative connectors in the required position.
4. Screw the connectors to the indicator and then tighten the cable glands.

Drilling template for HFL-EF



HFL-EF

HFL-ER



Standard Elements		Main dimension	Δ
Code	Description	L	g
111281	HFL-EF-NO	500	135
111283	HFL-EF-NC	500	135

Standard Elements		Main dimension	Δ
Code	Description	L	g
111286	HFL-ER-NO	500	135
111288	HFL-ER-NC	500	135