

Column level indicators



• Material

Transparent polyamide based (PA-T) technopolymer. Resistant to shocks, solvents, oils with additives, aliphatic and aromatic hydrocarbons, petrol, naphtha, phosphoric esters. Avoid contact with alcohol and detergents containing alcohol.

• Screws and nuts

Zinc-plated steel.

• Packing rings

NBR synthetic rubber.

• Contrast screen

White lacquered aluminium. The housing, in the appropriate external rear slot, guarantees the best protection from direct contact with fluid, avoiding yellowing effect due to the prolonged action of the fluid at high temperatures.

It can be removed before installation to fit marks and words (for example MAX-MIN) in the needed position.

• Protection frame

Glass-fibre reinforced polyamide (PA) SUPER-technopolymer, black colour, matte finish. Resistant to solvents, oils, greases and other chemical agents. Supplied assembled, removable by a screwdriver.

• Standard executions

- **HCZ**: without thermometer and without protection frame.
- **HCZ/T**: with thermometer, without protection frame.
- **HCZ-P**: without thermometer, with protection frame.
- **HCZ/T-P**: with thermometer and protection frame.

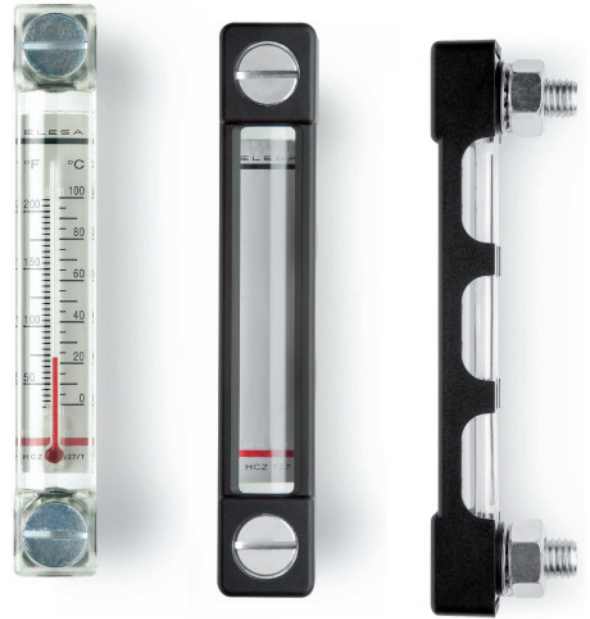
• Assembly

- By means of the supplied set screws and nuts.
- By means of the supplied set screws, without nuts, by tapping the two holes in the reservoir walls, if they are thick enough.

To ensure the best sealing of the O-rings it is recommended to apply the maximum torque on the nuts as reported in the table and a roughness of the gasket application surface $Ra = 3 \mu m$.

• Maximum continuous working temperature

90°C (with oil).



15

Special executions on request

- HCZ.127: with M10 screws and nuts.
- UV resistant transparent technopolymer indicators.

700

Features and performances

The body of the indicator, entirely in transparent material, is assembled using ultrasound welding to guarantee a perfect seal.

Maximum fluid level visibility even from side positions.

Level visibility and temperature reading magnified by lens effect.

All shocks are absorbed by the frame that transmits them directly onto the wall of the reservoir, since the indicator is suspended between the rubber packing rings.

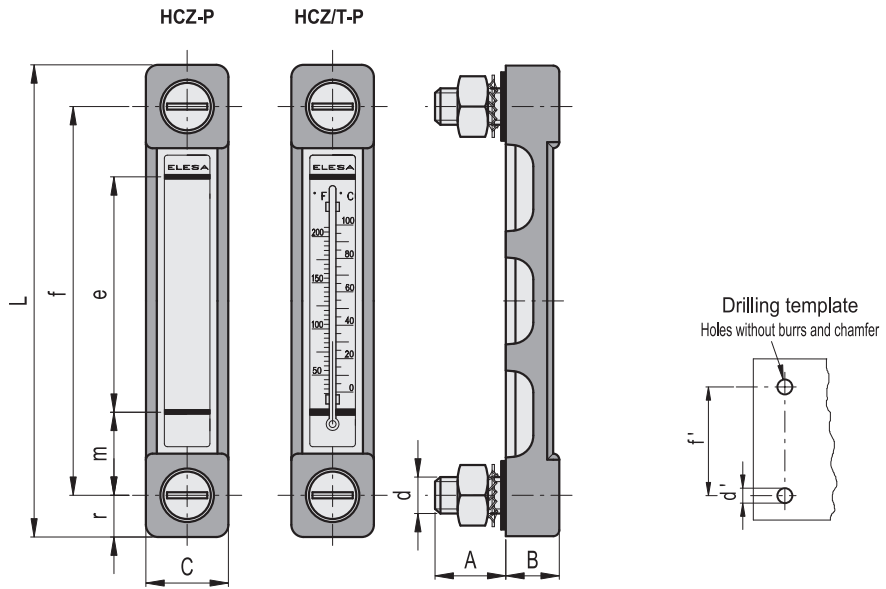
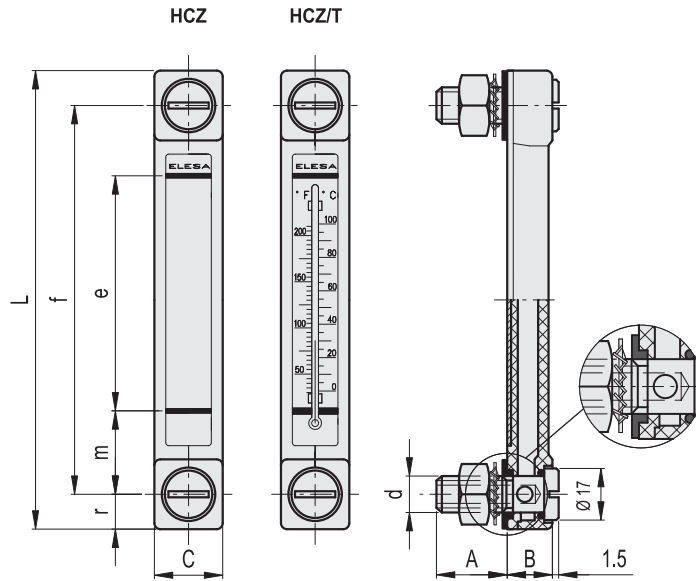
The frame is equipped with a wide front opening and three slots on each side that, combined with the indicator made entirely of transparent material, guarantee maximum fluid level visibility even from side positions.

Technical data

In laboratory tests carried out with mineral oil type CB68 (according to ISO 3498) at 23°C for a limited period of time, the weld stood up as follows:

- HCZ.76 18 bar
- HCZ.127 18 bar

If you need to use the indicator with other oils or fluids and under different pressure and temperature conditions, please contact ELESA Technical Department. In any case we suggest to verify the suitability of the product under the actual working conditions.



Standard Elements		Main dimensions									Mounting holes		Thermometer scale		C #	
Code	Description	f	d	A	B	C	L	e	m	r	d'±0.2	f'±0.2	°C	°F	[Nm]	g
11382	HCZ.76	76	M10	22	15	22	99	40	18	11.5	10.5	76	-	-	12	90
11383	HCZ.76/T	76	M10	22	15	22	99	40	18	11.5	10.5	76	20÷100	68÷210	12	91
11385	HCZ.127	127	M12	22	15	22	150	80	23	11.5	12.5	127	-	-	12	120
11386	HCZ.127/T	127	M12	22	15	22	150	80	23	11.5	12.5	127	0÷100	32÷210	12	121
11392	HCZ.76-P	76	M10	22	17.5	27	105	40	18	14.5	10.5	76	-	-	12	101
11393	HCZ.76/T-P	76	M10	22	17.5	27	105	40	18	14.5	10.5	76	20÷100	68÷210	12	102
11395	HCZ.127-P	127	M12	22	17.5	27	156	80	23	14.5	12.5	127	-	-	12	138
11396	HCZ.127/T-P	127	M12	22	17.5	27	156	80	23	14.5	12.5	127	0÷100	32÷210	12	139

Maximum tightening torque.