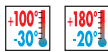


GN 749

EXTENDED RANGE

Plugs with hexagon socket for application with high pressures



RoHS

Material

Zinc-plated steel (class 5.8 - tensile strength 500 N/mm²), nano-passivated (silver/yellowish). Ultrasonically checked.

Flat packing ring

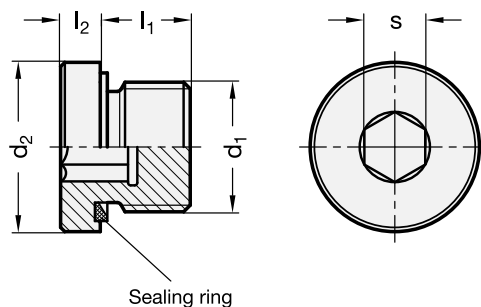
- Version **A**: NBR synthetic rubber.
- Version **B**: FPM synthetic rubber (type VITON®, registered mark by DuPont Dow Elastomers). Identification by not black finish.

Maximum continuous working temperature

- Version **A**: 100 °C.
- Version **B**: 180 °C.

Maximum working pressure

400 bar (250 bar for G1¼).



Standard Elements Description	Main dimensions					Maximum working pressure in bar	Tightening torque in Nm	ΔΔ
	d1	d2 h14	l1	l2	s			g
GN 749-M8x1-*	M8x1	12	8	4	4	400	8	5
GN 749-M10x1-*	M10x1	14	8	4	5	400	12	5
GN 749-M12x1.5-*	M12x1.5	17	12	5	6	400	25	15
GN 749-M14x1.5-*	M14x1.5	19	12	5	6	400	30	20
GN 749-M16x1.5-*	M16x1.5	22	12	5	8	400	50	25
GN 749-M18x1.5-*	M18x1.5	24	12	5	8	400	60	30
GN 749-M20x1.5-*	M20x1.5	26	14	5	10	400	70	42
GN 749-M22x1.5-*	M22x1.5	27	14	5	10	400	80	50
GN 749-M24x1.5-*	M24x1.5	30	14	5	12	400	95	56
GN 749-M26x1.5-*	M26x1.5	32	16	5	12	400	120	75
GN 749-M27x2-*	M27x2	32	16	5	12	400	120	80
GN 749-M30x1.5-*	M30x1.5	37	16	6.5	17	400	190	103
GN 749-M33x2-*	M33x2	40	16	6.5	17	400	225	125
GN 749-M42x2-*	M42x2	50	16	6.5	22	315	360	201
GN 749-M48x2-*	M48x2	55	16	6.5	24	315	400	254
GN 749-G1/8-*	G 1/8	14	8	4	5	400	12	5
GN 749-G1/4-*	G 1/4	19	12	5	6	400	30	15
GN 749-G3/8-*	G 3/8	22	12	5	8	400	50	25
GN 749-G1/2-*	G 1/2	27	14	5	10	400	80	45
GN 749-G3/4-*	G 3/4	32	16	5	12	400	120	75
GN 749-G1-*	G 1	40	16	6.5	17	400	225	124
GN 749-G1¼-*	G 1¼	50	16	6.5	22	315	360	195
GN 749-G1½-*	G 1½	55	16	6.5	24	315	400	240

* Complete the description of the standard item needed by adding the Version of the flat packing ring: A (NBR synthetic rubber) or B (FPM synthetic rubber).