

# GN 741

EXTENDED RANGE

## Plugs



### Material

Aluminium, fine turned finish.

- Version **OS**: plain.

- Version **AS**: plugs with laser engraved graphic symbol "drain", according to DIN regulations.

- Version **ES**: plugs with laser engraved graphic symbol "fill", according to DIN regulations.

### Flat packing ring

NBR synthetic rubber.

### Maximum continuous working temperature

100° C.

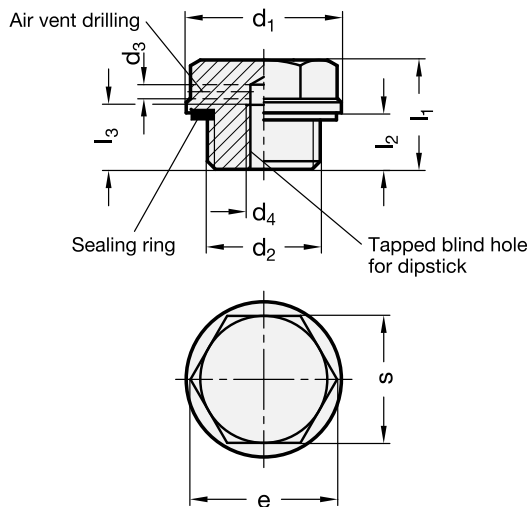
### Standard versions available

- Identification no. **1**: without vent trilling.

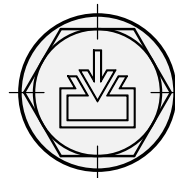
- Identification no. **2**: with vent trilling.

### Features and applications

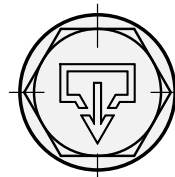
Plugs GN 741 are provided with a threaded blind hole for assembling a dipstick.



Re-fill symbol



Drain symbol



15

680

Accessories for hydraulic systems

Standard Elements	Main dimensions										△△
Description	d1	d2	d3	d4	l1	l2	t	s	e ≈	g	
GN 741-19-M14x1.5-OS-*	19	M14x1.5	2	M5	15.5	8	8	15	17.3	7	
GN 741-19-M14x1.5-ES-*	19	M14x1.5	2	M5	15.5	8	8	15	17.3	7	
GN 741-19-M14x1.5-AS-*	19	M14x1.5	2	M5	15.5	8	8	15	17.3	7	
GN 741-22-M16x1.5-OS-*	22	M16x1.5	2	M5	15.5	8	8	18	20.8	10	
GN 741-22-M16x1.5-ES-*	22	M16x1.5	2	M5	15.5	8	8	18	20.8	10	
GN 741-22-M16x1.5-AS-*	22	M16x1.5	2	M5	15.5	8	8	18	20.8	10	

Standard Elements	Main dimensions									$\Delta \triangle$
Description	d1	d2	d3	d4	l1	l2	t	s	e ≈	g
GN 741-26-M20x1.5-OS*	26	M20x1.5	2	M5	16	8.5	8	21	24.3	15
GN 741-26-M20x1.5-ES*	26	M20x1.5	2	M5	16	8.5	8	21	24.3	15
GN 741-26-M20x1.5-AS*	26	M20x1.5	2	M5	16	8.5	8	21	24.3	15
GN 741-32-M26x1.5-OS*	32	M26x1.5	2	M5	17	9	8	27	31.2	26
GN 741-32-M26x1.5-ES*	32	M26x1.5	2	M5	17	9	8	27	31.2	26
GN 741-32-M26x1.5-AS*	32	M26x1.5	2	M5	17	9	8	27	31.2	26
GN 741-32-M27x1.5-OS*	32	M27x1.5	2	M5	17	9	8	27	31.2	26
GN 741-32-M27x1.5-ES*	32	M27x1.5	2	M5	17	9	8	27	31.2	26
GN 741-32-M27x1.5-AS*	32	M27x1.5	2	M5	17	9	8	27	31.2	26
GN 741-40-M33x1.5-OS*	40	M33x1.5	2	M5	19.5	11	8	32	37	47
GN 741-40-M33x1.5-ES*	40	M33x1.5	2	M5	19.5	11	8	32	37	47
GN 741-40-M33x1.5-AS*	40	M33x1.5	2	M5	19.5	11	8	32	37	47
GN 741-50-M40x1.5-OS*	50	M40x1.5	2	M5	21	12	8	41	47.3	80
GN 741-50-M40x1.5-ES*	50	M40x1.5	2	M5	21	12	8	41	47.3	80
GN 741-50-M40x1.5-AS*	50	M40x1.5	2	M5	21	12	8	41	47.3	80
GN 741-50-M42x1.5-OS*	50	M42x1.5	2	M5	21	12	8	41	47.3	80
GN 741-50-M42x1.5-ES*	50	M42x1.5	2	M5	21	12	8	41	47.3	80
GN 741-50-M42x1.5-AS*	50	M42x1.5	2	M5	21	12	8	41	47.3	80
GN 741-50-M42x2-OS*	50	M42x2	2	M5	21	12	8	41	47.3	80
GN 741-50-M42x2-ES*	50	M42x2	2	M5	21	12	8	41	47.3	80
GN 741-50-M42x2-AS*	50	M42x2	2	M5	21	12	8	41	47.3	80
GN 741-19-G1/4-OS*	19	G1/4	2	M5	15.5	8	8	15	17.3	7
GN 741-19-G1/4-ES*	19	G1/4	2	M5	15.5	8	8	15	17.3	7
GN 741-19-G1/4-AS*	19	G1/4	2	M5	15.5	8	8	15	17.3	7
GN 741-22-G3/8-OS*	22	G3/8	2	M5	15.5	8	8	18	20.8	10
GN 741-22-G3/8-ES*	22	G3/8	2	M5	15.5	8	8	18	20.8	10
GN 741-22-G3/8-AS*	22	G3/8	2	M5	15.5	8	8	18	20.8	10
GN 741-26-G1/2-OS*	26	G1/2	2	M5	16	8.5	8	21	24.3	15
GN 741-26-G1/2-ES*	26	G1/2	2	M5	16	8.5	8	21	24.3	15
GN 741-26-G1/2-AS*	26	G1/2	2	M5	16	8.5	8	21	24.3	15
GN 741-32-G3/4-OS*	32	G3/4	2	M5	17	9	8	27	31.2	26
GN 741-32-G3/4-AS*	32	G3/4	2	M5	17	9	8	27	31.2	26
GN 741-32-G3/4-ES*	32	G3/4	2	M5	17	9	8	27	31.2	26
GN 741-40-G1-OS*	40	G1	2	M5	19.5	11	8	32	37	47
GN 741-40-G1-ES*	40	G1	2	M5	19.5	11	8	32	37	47
GN 741-40-G1-AS*	40	G1	2	M5	19.5	11	8	32	37	47
GN 741-50-G11/4-OS*	50	G11/4	2	M5	21	12	8	41	47.3	80
GN 741-50-G11/4-ES*	50	G11/4	2	M5	21	12	8	41	47.3	80
GN 741-50-G11/4-AS*	50	G11/4	2	M5	21	12	8	41	47.3	80
GN 741-60-G11/2-OS*	60	G11/2	2	M5	22	13	8	50	57.7	120
GN 741-60-G11/2-ES*	60	G11/2	2	M5	22	13	8	50	57.7	120
GN 741-60-G11/2-AS*	60	G11/2	2	M5	22	13	8	50	57.7	120

\* Complete the description of the standard item needed by adding 1 (without vent drilling) or 2 (with vent drilling).