

GN 441

Plugs



- **Material**
Aluminium.
- **Finish**
 - Version **SW**: RAL 9005 black, matte finish, epoxy resin coating.
 - Version **BL**: blank, tumbled.
- **Flat packing ring**
NBR (Perbunan) synthetic rubber.
- **Maximum continuous working temperature**
100° C.
- **Standard versions available**
 - Identification no. **1**: without vent drilling.
 - Identification no. **2**: with vent drilling.



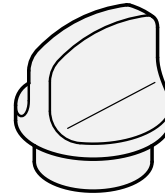
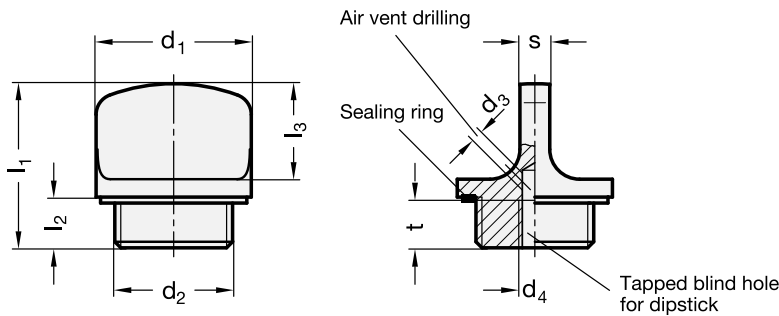
Special executions on request (For sufficient quantities)

- Plugs with $\varnothing 2$ mm (d₂) side breather hole (type 2 with vent drilling).
- Threaded plugs with dipstick.

Features and applications

Threaded plugs GN 441 with the external diameter d₁ match the screw-in holes for DIN 3852 pipe bolt connections.

The sealing ring is embedded in a radial recess on the plane side, which makes the sealing ring captive and cannot be squeezed out during tightening. The sealing is also relatively soft, enhancing the sealing effect also on uneven surfaces.



15
684

Accessories for hydraulic systems

Standard Elements	Main dimensions									Δ
Description	d ₁	d ₂	d ₃	d ₄	l ₁ ±0.5	l ₂	l ₃	s	t min.	g
GN 441-22-M16x1.5-1-*	22	M16x1.5	-	M5	26	8	15	5	8	12
GN 441-22-M16x1.5-2-*	22	M16x1.5	2	M5	26	8	15	5	8	12
GN 441-26-M20x1.5-1-*	26	M20x1.5	-	M5	27.5	8.5	16	5	8	17
GN 441-26-M20x1.5-2-*	26	M20x1.5	2	M5	27.5	8.5	16	5	8	17
GN 441-32-M26x1.5-1-*	32	M26x1.5	-	M5	29	9	17	6	8	27
GN 441-32-M26x1.5-2-*	32	M26x1.5	2	M5	29	9	17	6	8	27
GN 441-22-G3/8-1-*	22	G3/8	-	M5	26	8	15	5	8	12
GN 441-22-G3/8-2-*	22	G3/8	2	M5	26	8	15	5	8	12
GN 441-26-G1/2-1-*	26	G1/2	-	M5	27.5	8.5	16	5	8	17
GN 441-26-G1/2-2-*	26	G1/2	2	M5	27.5	8.5	16	5	8	17
GN 441-32-G3/4-1-*	32	G3/4	-	M5	29	9	17	6	8	27
GN 441-32-G3/4-2-*	32	G3/4	2	M5	29	9	17	6	8	27
GN 441-40-G1-1-*	40	G1	-	M5	32.5	11	18	7	8	48
GN 441-40-G1-2-*	40	G1	2	M5	32.5	11	18	7	8	48

* Complete the description of the standard item needed by adding SW (black, matt finish) or BL (blank, tumbled).