

Fluted grip knobs



- **Material**
High-resilience polypropylene based (PP) technopolymer.
Resistant to solvents, oils, greases and other chemical agents.
- **Fluted rim**
"Soft-touch" thermoplastic elastomer (TPE) chemically bonded, hardness 70 Shore A. The coating material is certified according to FDA (U.S. Food and Drug administration).
- **Colour**
Black, matte finish.
- **Standard execution**
Brass boss, threaded blind hole.

Features and applications

The rim, coated with "soft-touch" elastomer, improves the grip even in the presence of oils, greases and sweat from the hand. For this reason these fluted knobs are suitable for fitness machines, tools and machines for gardening and goods transport, high-precision instruments and disability aids.

Ergonomy

This kind of knob allows operation in an ergonomic way in all working conditions, reaching the maximum torque level with little fatigue for the operator's hand. The very fine pitch structure of the rim, together with the soft-touch cover, simplifies the adjustments of the knob during rapid rotation (or screwing) without any unpleasant angular work for the hand and wrist.

Fluted grip knobs



- **Material**
High resilience polypropylene based (PP) technopolymer.
Resistant to solvents, oils, greases and other chemical agents.
- **Fluted rim**
"Soft-touch" thermoplastic elastomer (TPE) chemically bonded, hardness 70 Shore A.
- **Colour**
Black, matte finish.
- **Standard execution**
Zinc-plated steel threaded stud, chamfered flat end according to UNI 947 : ISO 4753 (see catalogue 038, page A11).

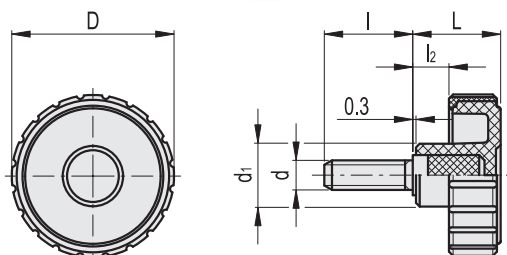
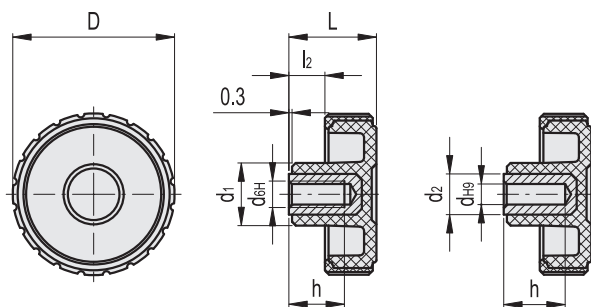
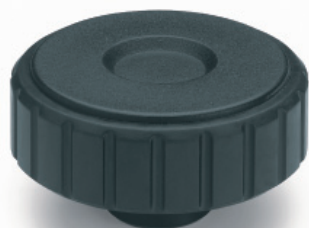
Features and applications

The rim, coated with "soft-touch" elastomer, improves the grip even in the presence of oils, greases and sweat from the hand. For this reason these fluted knobs are suitable for fitness machines, tools and machines for gardening and goods transport, high-precision instruments and disability aids.

Ergonomy

This kind of knob allows operation in an ergonomic way in all working conditions, reaching the maximum torque level with little fatigue for the operator's hand. The very fine pitch structure of the rim, together with the soft-touch cover, simplifies the adjustments of the knob during rapid rotation (or screwing) without any unpleasant angular work for the hand and wrist.

EXTENDED RANGE



Standard Elements		Main dimensions			Mounting hole			C #	⚖		
Code	Description	D	L	d1	l2	d2	d6H	dH9	h	[Nm]	g
134316	MBT.45 B-6-SOFT	44	24	17	10	12	-	6	14	18	32
134321	MBT.45 B-M6-SOFT	44	24	17	10	-	M6	-	12	15	31
134326	MBT.45 B-M8-SOFT	44	24	17	10	-	M8	-	13	18	30
134416	MBT.55 B-8-SOFT	54	30	20	12.5	15	-	8	20	30	40
134421	MBT.55 B-M8-SOFT	54	30	20	12.5	-	M8	-	20	30	46
134426	MBT.55 B-M10-SOFT	54	30	20	12.5	-	M10	-	18	32	44

Elesa Standards		Main dimensions		Threaded stud		C #	⚖		
Code	Description	D	L	d1	l2	d6g	l	[Nm]	g
134341	MBT.45 p-M6x10-SOFT	44	24	17	10	M6	10	13	25
134346	MBT.45 p-M6x20-SOFT	44	24	17	10	M6	20	13	30
134381	MBT.45 p-M8x16-SOFT	44	24	17	10	M8	16	16	33
134391	MBT.45 p-M8x30-SOFT	44	24	17	10	M8	30	16	37
134396	MBT.45 p-M8x50-SOFT	44	24	17	10	M8	50	16	47
134431	MBT.55 p-M8x16-SOFT	54	30	20	12.5	M8	16	25	40
134436	MBT.55 p-M8x30-SOFT	54	30	20	12.5	M8	30	25	50
134441	MBT.55 p-M8x50-SOFT	54	30	20	12.5	M8	50	25	64
134451	MBT.55 p-M10x20-SOFT	54	30	20	12.5	M10	20	27	52
134456	MBT.55 p-M10x30-SOFT	54	30	20	12.5	M10	30	27	57
134471	MBT.55 p-M10x50-SOFT	54	30	20	12.5	M10	50	27	73

"Max limit tightening torque" means the value under which the metal insert, in normal conditions of use, is perfectly and strongly anchored to the plastic part.