

Wing nuts



Material

Precision casting AISI CF-8 stainless steel, sandblasted matte finish.

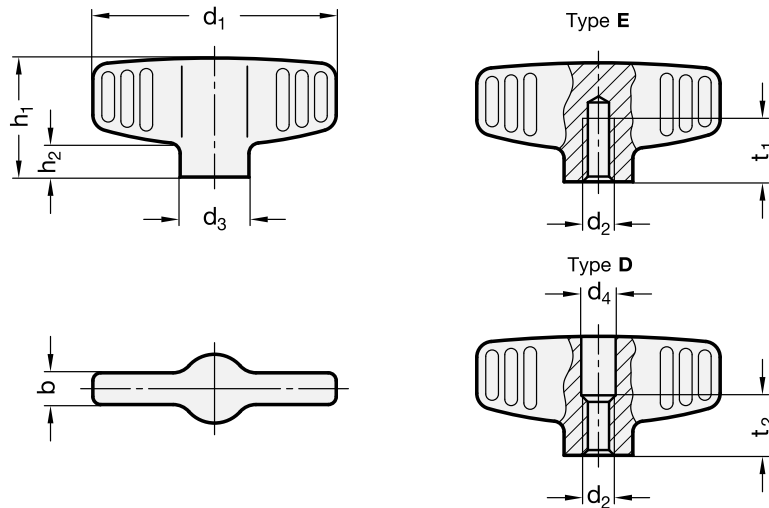
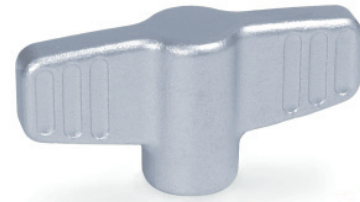
Assembly

- Type **D**: tapped through hole.
- Type **E**: tapped blind hole.

Features and applications

These wing nuts allow high tightening torque values.

Stainless steel, thanks to its high resistance to corrosion, allows the application of these wing nuts on machines and equipment in those sectors where laws or particular hygienic, climatic and environmental factors make it mandatory to use corrosion resistant materials.



Standard Elements	Main dimensions						Mounting hole			
Description	d1	d3	d4	b	h1	h2	d2	t1 min.	t2	g
GN 834-46-M6-D-MT	46	13	6.5	6	22.5	6	M6	-	10	40
GN 834-46-M6-E-MT	46	13	-	6	22.5	6	M6	12	-	40
GN 834-46-M8-D-MT	46	13	8.5	6	22.5	6	M8	-	13	50
GN 834-46-M8-E-MT	46	13	-	6	22.5	6	M8	15	-	50
GN 834-58-M8-D-MT	58	16	8.5	7	26.5	7	M8	-	13	65
GN 834-58-M8-E-MT	58	16	-	7	26.5	7	M8	15	-	65
GN 834-58-M10-D-MT	58	16	10.5	7	26.5	7	M10	-	16	70
GN 834-58-M10-E-MT	58	16	-	7	26.5	7	M10	18	-	70