

Knurled knobs



- **Material**

Plastic, polyamide based (PA) technopolymer, glas fibre reinforced, temperature resistant up to 130 °C.

- **Threaded bush**

AISI 304 stainless steel.

- **Cover cap**

Light grey, matte finish.

Special executions on request (For sufficient quantities)

- Cover caps in different colours.
- Cover caps with printed lettering.

Features and applications

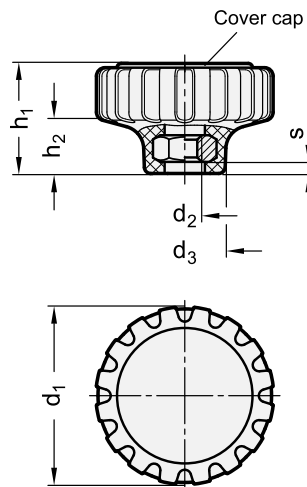
Knurled knobs GN 7336-NI distinguish an attractive design in combination with closed shape (no recess on the underside of the handles).

The threaded inserts are standard hexagonal nuts or hexagonal screws which are press-fitted in mechanically.



2
90

Clamping knobs



Standard Elements	Main dimensions						Mounting hole		Δ
Description	d_1	d_2	d_3	h_1	h_2	max. threaded depth	d_2	s	g
GN 7336-34-M6-NI	34	M6	16	20	10.5	19	M6	5	15
GN 7336-42-M8-NI	42	M8	19	25	13	24	M8	5	20
GN 7336-53-M10-NI	53	M10	24	31	16	30	M10	5	20