

GN 7336

Knurled knobs



Material

Plastic, polyamide based (PA) technopolymer, glas fibre reinforced, temperature resistant up to 130 °C.

Threaded insert

Zinc-plated steel **ST**, blue passivated.

Cover cap

Light grey, matte finish.

Special executions on request (For sufficient quantities)

- Cover caps in different colours.
- Cover caps with printed lettering.

Features and applications

Knurled knobs GN 7336 distinguish an attractive design in combination with closed shape (no recess on the underside of the handles).

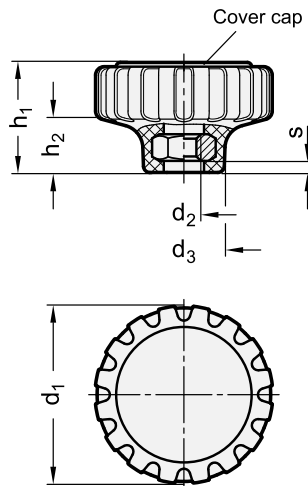
The threaded inserts are standard hexagonal nuts or hexagonal screws which are press-fitted in mechanically.



2

88

Clamping knobs



Standard Elements	Main dimensions					Mounting hole		Δ
Description	d1	d3	h1	h2	max. threaded depth	d2	s	g
GN 7336-34-M6-ST	34	16	20	10.5	19	M6	5	5
GN 7336-42-M8-ST	42	19	25	13	24	M8	5	23
GN 7336-53-M10-ST	53	24	31	16	30	M10	5	50