

Knurled screws



Material

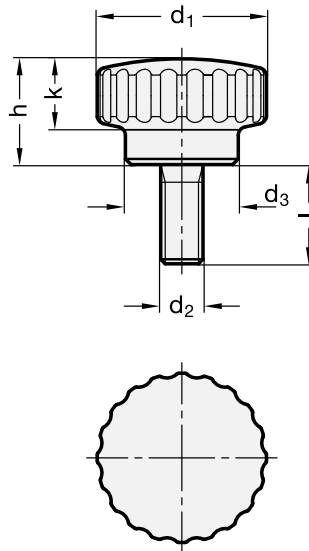
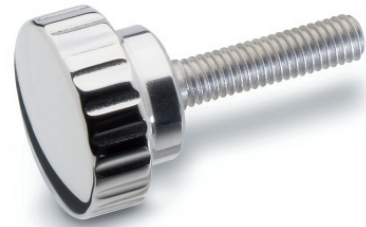
- AISI 304 stainless steel.
- Version **MT**: matt blasted.
- Version **PL**: polished.

Assembly

Threaded pin.

Features and applications

The knurling of the knurled screws GN 535 allows a use in an environment with hygienic requirements.



| Standard Elements | Main dimensions | | | | Threaded pin | | ⚖ |
|--------------------|-----------------|----------------|----|------|----------------|----|----|
| Description | d ₁ | d ₃ | h | k | d ₂ | l | g |
| GN 535-20-M5-10-MT | 20 | 14 | 13 | 8.5 | M5 | 10 | 26 |
| GN 535-20-M5-10-PL | 20 | 14 | 13 | 8.5 | M5 | 10 | 26 |
| GN 535-20-M5-16-MT | 20 | 14 | 13 | 8.5 | M5 | 16 | 27 |
| GN 535-20-M5-16-PL | 20 | 14 | 13 | 8.5 | M5 | 16 | 27 |
| GN 535-24-M6-16-MT | 24 | 16 | 15 | 10.5 | M6 | 16 | 44 |
| GN 535-24-M6-16-PL | 24 | 16 | 15 | 10.5 | M6 | 16 | 44 |
| GN 535-24-M6-20-MT | 24 | 16 | 15 | 10.5 | M6 | 20 | 44 |
| GN 535-24-M6-20-PL | 24 | 16 | 15 | 10.5 | M6 | 20 | 44 |
| GN 535-24-M6-25-MT | 24 | 16 | 15 | 10.5 | M6 | 25 | 45 |
| GN 535-24-M6-25-PL | 24 | 16 | 15 | 10.5 | M6 | 25 | 45 |
| GN 535-28-M8-16-MT | 28 | 18 | 17 | 12.5 | M8 | 16 | 68 |
| GN 535-28-M8-16-PL | 28 | 18 | 17 | 12.5 | M8 | 16 | 68 |
| GN 535-28-M8-20-MT | 28 | 18 | 17 | 12.5 | M8 | 20 | 69 |
| GN 535-28-M8-20-PL | 28 | 18 | 17 | 12.5 | M8 | 20 | 69 |
| GN 535-28-M8-30-MT | 28 | 18 | 17 | 12.5 | M8 | 30 | 72 |
| GN 535-28-M8-30-PL | 28 | 18 | 17 | 12.5 | M8 | 30 | 72 |