

## Lobe knobs



**Material**

AISI 303 stainless steel.

**Finish**

- sandblasted matte finish.
- Version **PL**: polished.

**Assembly**

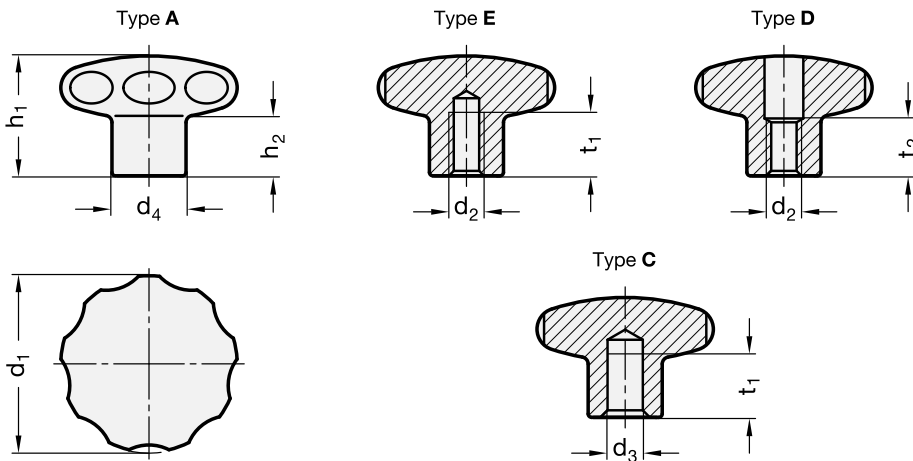
- Type **C**: hub, H7 reamed blind hole.
- Type **E**: hub, tapped blind hole.
- Type **D**: hub, tapped through hole.

For fixing GN 5335 on shafts by a grub screw see Technical Data (see catalogue 038, page A18).



### Features and applications

AISI 303 stainless steel, thanks to its high resistance to corrosion, allows the application of these knobs on machines and equipment in those sectors where laws or particular hygienic, climatic and environmental factors make it mandatory to use corrosion resistant materials.



Standard Elements	Main dimensions				Mounting hole				$\triangle/\triangle$
Description	d1	h1	d4	h2	d3 H7	d2	t1 min.	t2	g
GN 5335-40-M6-D	40	30.5	18	15	-	M6	-	13	128
GN 5335-40-M6-D-PL	40	30.5	18	15	-	M6	-	13	160
GN 5335-40-M6-E	40	30.5	18	15	-	M6	12	-	128
GN 5335-40-M6-E-PL	40	30.5	18	15	-	M6	12	-	190
GN 5335-40-B8-C	40	30.5	18	15	8	-	15	-	125
GN 5335-40-M8-D	40	30.5	18	15	-	M8	-	13	120
GN 5335-40-M8-D-PL	40	30.5	18	15	-	M8	-	13	130
GN 5335-40-M8-E	40	30.5	18	15	-	M8	15	-	125
GN 5335-40-M8-E-PL	40	30.5	18	15	-	M8	15	-	150
GN 5335-50-M8-D	50	34	21	17	-	M8	-	16	214
GN 5335-50-M8-D-PL	50	34	21	17	-	M8	-	16	222
GN 5335-50-M8-E	50	34	21	17	-	M8	15	-	214
GN 5335-50-M8-E-PL	50	34	21	17	-	M8	15	-	239
GN 5335-50-B10-C	50	34	21	17	10	-	18	-	205
GN 5335-50-M10-D	50	34	21	17	-	M10	-	16	205
GN 5335-50-M10-D-PL	50	34	21	17	-	M10	-	16	205
GN 5335-50-M10-E	50	34	21	17	-	M10	18	-	208
GN 5335-50-M10-E-PL	50	34	21	17	-	M10	18	-	208
GN 5335-60-M10-D	60	39	25	18	-	M10	-	20	367
GN 5335-60-M10-D-PL	60	39	25	18	-	M10	-	20	360
GN 5335-60-M10-E	60	39	25	18	-	M10	18	-	367
GN 5335-60-M10-E-PL	60	39	25	18	-	M10	18	-	367
GN 5335-60-B12-C	60	39	25	18	12	-	22	-	366
GN 5335-60-M12-D	60	39	25	18	-	M12	-	20	366
GN 5335-60-M12-D-PL	60	39	25	18	-	M12	-	20	366
GN 5335-60-M12-E	60	39	25	18	-	M12	22	-	365
GN 5335-60-M12-E-PL	60	39	25	18	-	M12	22	-	390