

## Lobe knobs

RoHS

### Material

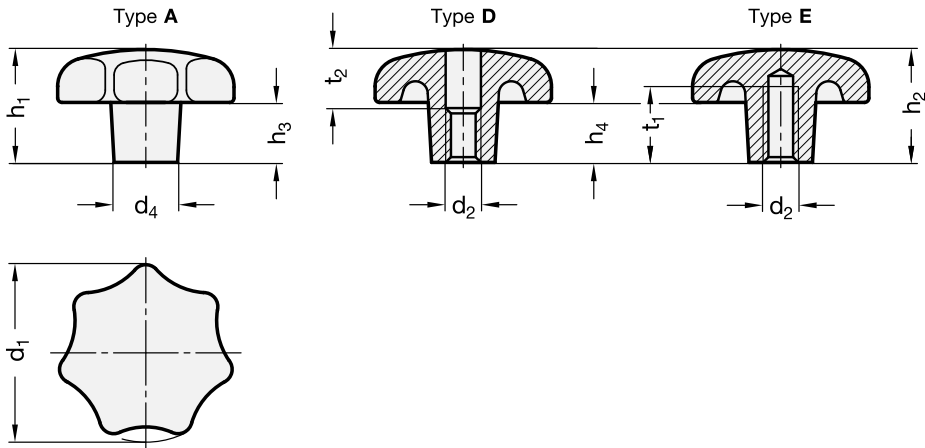
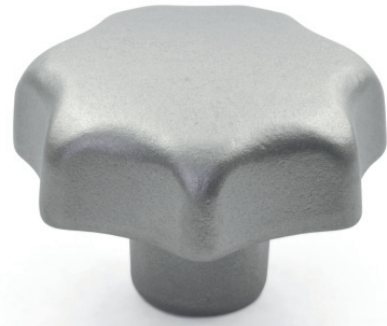
AISI CF-8 stainless steel, sandblasted matte finish.

### Assembly

- Type **A**: casting only (unmachined).
- Type **D**: with threaded through bore.
- Type **E**: with threaded blind bore.

### Features and applications

Stainless steel, thanks to its high resistance to corrosion, allows the application of these lobe knobs on machines and equipment in those sectors where laws or particular hygienic, climatic and environmental factors make it mandatory to use corrosion resistant materials.



Standard Elements	Main dimensions							Mounting hole		$\triangle/\triangle$
Description	d1	d4	h1	h2	h3 min.	h4 min.	t2	d2	t1	g
DIN 6336-NI-32-A	32	12	21	-	10	-	-	-	-	56
DIN 6336-NI-32-M6-D	32	-	-	20	-	9	10	M6	-	52
DIN 6336-NI-32-M6-E	32	-	-	20	-	9	-	M6	12	54
DIN 6336-NI-40-A	40	14	26	-	13	-	-	-	-	85
DIN 6336-NI-40-M8-D	40	-	-	25	-	12	12	M8	-	75
DIN 6336-NI-40-M8-E	40	-	-	25	-	12	-	M8	15	77
DIN 6336-NI-50-A	50	18	34	-	17	-	-	-	-	170
DIN 6336-NI-50-M8-D	50	-	-	32	-	15	16	M8	-	175
DIN 6336-NI-50-M8-E	50	-	-	32	-	15	-	M8	18	180
DIN 6336-NI-50-M10-D	50	-	-	32	-	15	16	M10	-	160
DIN 6336-NI-50-M10-E	50	-	-	32	-	15	-	M10	18	170
DIN 6336-NI-63-A	63	20	42	-	21	-	-	-	-	320
DIN 6336-NI-63-M10-D	63	-	-	40	-	19	20	M10	-	290
DIN 6336-NI-63-M10-E	63	-	-	40	-	19	-	M10	22	300
DIN 6336-NI-63-M12-D	63	-	-	40	-	19	20	M12	-	282
DIN 6336-NI-63-M12-E	63	-	-	40	-	19	-	M12	22	300