

CTL.476

ELESA Original design

Wing knobs



• Material

Glass-fibre reinforced polyamide based (PA) technopolymer. Resistant to solvents, oils, greases and other chemical agents.

• Colour

Black, matte finish.

• Standard execution

Brass boss, threaded blind hole.

Features and applications

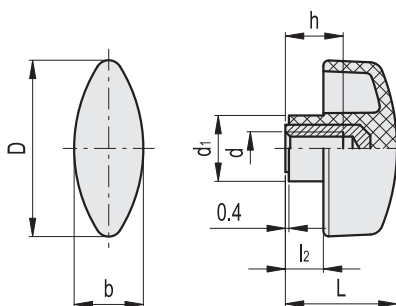
These wing knobs allow high tightening torque values. Moreover, the elongated hub makes the grip easier.



2

100

Clamping knobs



Standard Elements		Main dimensions					Mounting hole		⚖
Code	Description	D	L	b	d ₁	l ₂	d _{6H}	h	g
8711	CTL.476/30 B-M6	32	20	13	11	5.5	M6	10	8
8741	CTL.476/40 B-M8	40	24.5	15.5	14	7.5	M8	15	11
8771	CTL.476/48 B-M8	48	28	19	17	9	M8	20	17
8801	CTL.476/56 B-M10	56	34	21	18.5	11	M10	13	21