

L.652-X

ELESA Original design

Adjustable handle



- Material**

Glass-fibre reinforced polyamide based (PA) technopolymer. Resistant to solvents, oils, greases and other chemical agents.

- Colour**

Black, matte finish.

- Centre cap**

Technopolymer, black colour.

- Standard execution**

Glass-fibre reinforced technopolymer clamping element with tothing and retaining pin, black colour. AISI 302 stainless steel return spring. Brass boss, threaded blind hole.

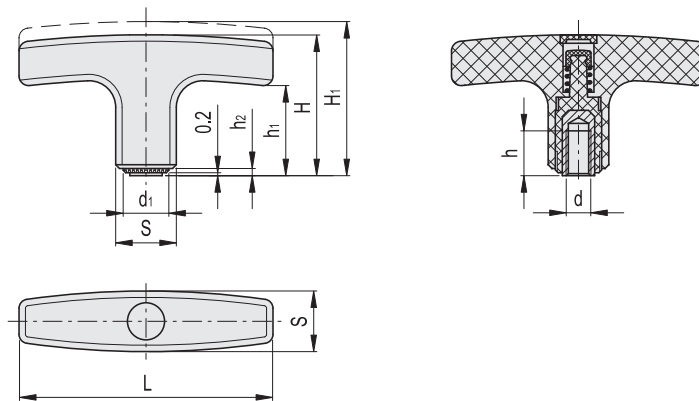


Features and applications

Particularly suitable when clamping operations are limited owing to lack of space and the hand of the operator cannot make a complete rotation.

Instructions of use

For clamping, lift the handle to disengage the clamping device tothing and bring it back to start position. By releasing the handle, the return spring automatically engages the tothing.



| Standard Elements | | Main dimensions | | | | | | | Mounting hole | | Teeth no. | \triangle |
|-------------------|-----------------|-----------------|-------|----|----------------|----------------|----------------|----------------|---------------|----|-----------|-------------|
| Code | Description | L | S | H | H ₁ | h ₁ | h ₂ | d ₁ | d 6H | h | z | g |
| 32731 | L.652-X/67 B-M5 | 67 | 16x16 | 39 | 42 | 26 | 1 | 12 | M5 | 10 | 18 | 34 |
| 32733 | L.652-X/67 B-M6 | 67 | 16x16 | 39 | 42 | 26 | 1 | 12 | M6 | 10 | 18 | 32 |
| 32763 | L.652-X/80 B-M6 | 80 | 20x20 | 42 | 46 | 27 | 1 | 15 | M6 | 16 | 20 | 46 |
| 32765 | L.652-X/80 B-M8 | 80 | 20x20 | 42 | 46 | 27 | 1 | 15 | M8 | 13 | 20 | 44 |