

L.652-S

ELESA Original design

Safety adjustable handles with push action



- **Material**

Glass-fibre reinforced polyamide based (PA) technopolymer with "PUSH" tampoprinted in grey colour. Avoid contact with solvents, alcohol or detergents containing alcohol to prevent deterioration of the tampoprinted inscription.

- **Colour**

Black, matte finish.

- **Centre cap**

Technopolymer, black colour. On request and for sufficient quantities, it can be supplied in yellow RAL 1021 (safety) or in other colours, with customised graphic symbols, marks or writings.

- **Standard execution**

Glass-fibre reinforced technopolymer clamping element with tothing and retaining pin, black colour, with knurling on the protruding part to make initial tightening easier. AISI 302 stainless steel return spring. Brass boss, threaded blind hole.

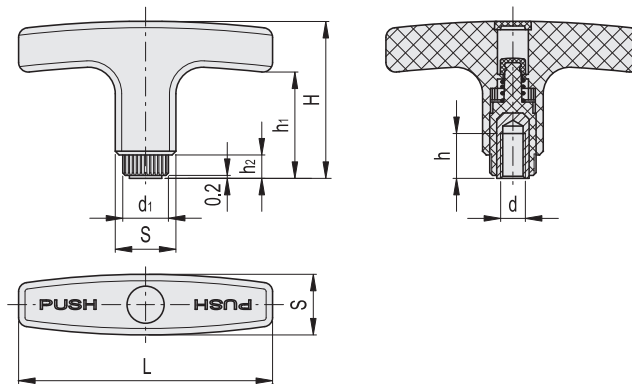
Features and applications

Particularly suitable where the handle needs to turn freely to avoid that clamping may be accidentally affected.

Instructions of use

Press the handle to engage the tothing and turn it.

By releasing the handle the spring releases the tothing, thus the handle returns to the rest position.



Standard Elements		Main dimensions						Mounting hole		Teeth no.	△
Code	Description	L	S	H	h ₁	h ₂	d ₁	d 6H	h	z	g
32531	L.652-S/67 B-M5	67	16x16	41	29	4	12	M5	10	18	34
32533	L.652-S/67 B-M6	67	16x16	41	29	4	12	M6	10	18	32
32563	L.652-S/80 B-M6	80	20x20	47	31.5	5.5	15	M6	16	20	46
32565	L.652-S/80 B-M8	80	20x20	47	31.5	5.5	15	M8	13	20	44

ELESA and GANTER models all rights reserved in accordance with the law. Always mention the source when reproducing our drawings.

