

L.652-S p

ELESA Original design

Safety adjustable handles with push action



Material

Glass-fibre reinforced polyamide based (PA) technopolymer with "PUSH" tampoprinted in grey colour. Avoid contact with solvents, alcohol or detergents containing alcohol to prevent deterioration of the tampoprinted inscription.

Colour

Black, matte finish.

Centre cap

Technopolymer, black colour. On request and for sufficient quantities, it can be supplied in yellow RAL 1021 (safety) or in other colours, with customised graphic symbols, marks or writings.

Standard execution

Glass-fibre reinforced technopolymer clamping element with toothing and retaining pin, black colour, with knurling on the protruding part to make initial tightening easier. AISI 302 stainless steel return spring. Zinc-plated steel threaded stud, chamfered flat end UNI 947: ISO 4753 table (see catalogue O38, page A11).

Special executions on request

Different lengths of threaded stud.

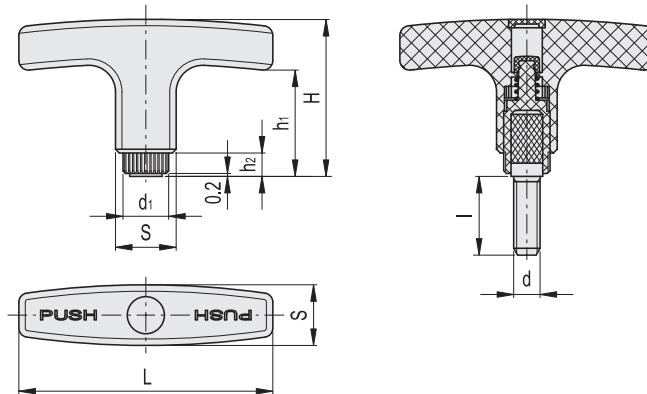
Features and applications

Particularly suitable where the handle needs to turn freely to avoid that clamping may be accidentally affected.

Instructions of use

Press the handle to engage the toothing and turn it.

By releasing the handle the spring releases the toothing, thus the handle returns to the rest position.



Standard Elements		Main dimensions						Threaded stud		Teeth no.	Δ/Δ
Code	Description	L	S	H	h1	h2	d1	d 6g	l	z	g
32541	L.652-S/67 p-M5x10	67	16x16	41	29	4	12	M5	10	18	23
32542	L.652-S/67 p-M5x16	67	16x16	41	29	4	12	M5	16	18	25
32552	L.652-S/67 p-M6x16	67	16x16	41	29	4	12	M6	16	18	27
32553	L.652-S/67 p-M6x25	67	16x16	41	29	4	12	M6	25	18	30
32571	L.652-S/80 p-M8x20	80	20x20	47	31.5	5.5	15	M8	20	20	43
32572	L.652-S/80 p-M8x25	80	20x20	47	31.5	5.5	15	M8	25	20	45
32582	L.652-S/80 p-M10x30	80	20x20	47	31.5	5.5	15	M10	30	20	51