

GN 798.7

Safety fold-away handles



- **Handle**
Polyamide-based (PA) technopolymer.
- **Colour**
Black, matte finish.
- **Stud**
Black-oxide steel.
- **Flat base**
Black-oxide steel

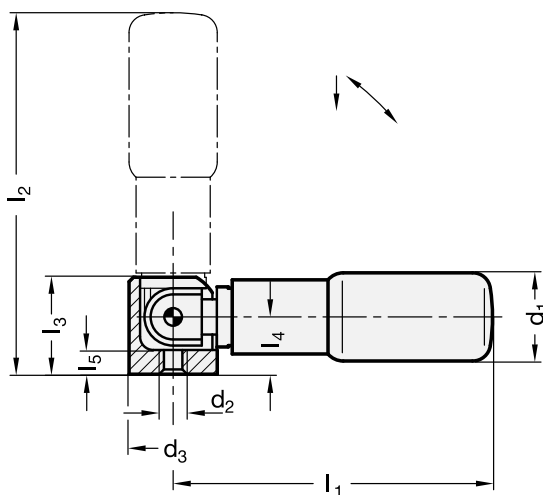
Features and applications

Handle pivots freely during operation: a system of coaxial bushes compensates return spring load. When releasing the handle, the spring returns it back to the retracted position.

Safety fold-away handles GN 798.7 are suitable when the handle must not remain in the operating position. In order to bring the handle into the operating position it has to be turned first through 90° to a stop against a torsion spring and then it has to be pushed against spring pressure into its hold position. By maintaining the forward thrust on the handle, the handwheel can easily be rotated.

Ergonomy and design

Typical in design is the stepped shape consisting of two cylinders giving the operator a better grip.



| Standard Elements | Main dimensions | | | | | | Mounting hole | | △ |
|-------------------|-----------------|----|----|-----|----|----|---------------|-----|-----|
| Description | d1 | d3 | l1 | l2 | l3 | l4 | d2 | l5 | g |
| GN 798.7-KT-22 | 22 | 20 | 73 | 82 | 22 | 13 | M6 | 5.5 | 81 |
| GN 798.7-KT-24 | 24 | 20 | 88 | 97 | 22 | 13 | M6 | 5.5 | 91 |
| GN 798.7-KT-25 | 25 | 20 | 98 | 107 | 22 | 13 | M6 | 5.5 | 101 |