

GN 563.2

Handles

RoHS

• Material

Aluminium.

- Version **BL**: natural aluminium.

- Version **SW**: RAL 9005 black colour, matte finish, epoxy resin coating.

- Version **SR**: RAL 9006 silver, matte textured finish, epoxy resin coating.

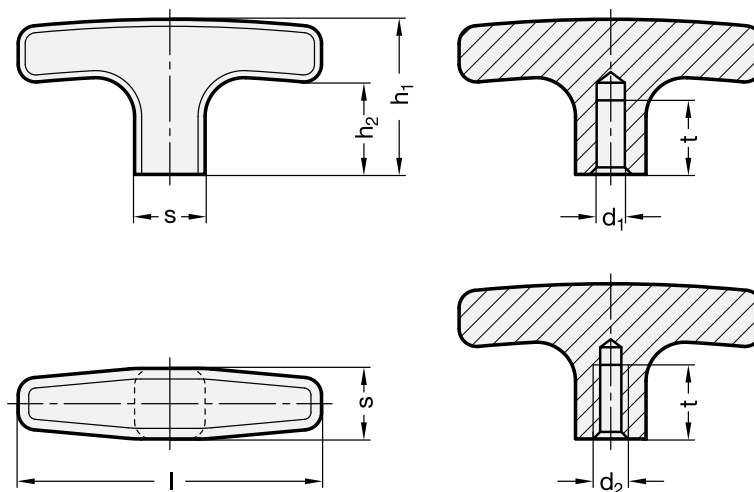
• Assembly

Plain or tapped blind hole.

Features and applications

Handles GN 563.2 can be used as either operating handles or for clamping purposes, producing high clamping forces.

Handles are produced using a stamping process which yields a high density material of high strength and a smooth surface.



Standard Elements	Main dimensions				Mounting hole			△/△
Description	l	s	h1	h2	d1 H7	d2	t min.	g
GN 563.2-55-B6*	55	14	33	22	6	-	12	30
GN 563.2-55-M6*	55	14	33	22	-	M6	12	35
GN 563.2-55-M8*	55	14	33	22	-	M8	12	40
GN 563.2-67-B8*	67	16	37	25	8	-	16	45
GN 563.2-67-M8*	67	16	37	25	-	M8	16	60
GN 563.2-80-B8*	80	20	41	26	8	-	16	75
GN 563.2-80-M8*	80	20	41	26	-	M8	16	80
GN 563.2-80-M10*	80	20	41	26	-	M10	16	95

* Complete the description of the standard item needed by adding the index of the finish: BL (natural aluminium), SW (black) or SR (silver).