

EBK-C SOFT

ERGOSTYLE® SOFT

ELESA Original design

Handles



Material

High-resilience polypropylene based (PP) technopolymer, coated with "soft-touch" thermoplastic elastomer (TPE) chemically bonded, hardness 70 Shore A.

The coating material is certified in compliance with FDA (U.S. Food and Drug Administration).

Resistant to solvents, oils, greases and other chemical agents.

Colour

Black, matte finish.

Centre cap

Polypropylene based (PP) technopolymer, in Ergostyle colours, matte finish, press-fit assembly.

Standard execution

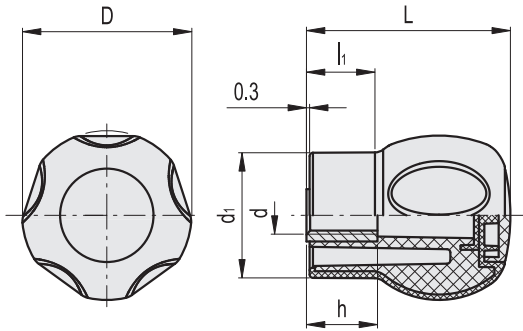
Brass boss, threaded hole.

Features and applications

The surface, coated with "soft-touch" elastomer, improves the grip even in the presence of oils, greases and sweat from the hand. For this reason it is suitable for fitness machines, tools and machines for gardening and goods transport, high-precision instruments and disability aids.



EXTENDED RANGE



* Complete with colour index, example: 245203-C2 EBK.50 B-M8-C-SOFT-C2



Standard Elements		Main dimensions				Mounting hole			⚖
Code	Description	D	L	d ₁	l ₁	d _{6H}	h	g	
245103-*	EBK.43 B-M8-C-SOFT-*	43	53.5	32.5	17.5	M8	10	72	
245105-*	EBK.43 B-M10-C-SOFT-*	43	53.5	32.5	17.5	M10	10	71	
245203-*	EBK.50 B-M8-C-SOFT-*	50	60	37	20	M8	20	85	
245205-*	EBK.50 B-M10-C-SOFT-*	50	60	37	20	M10	20	82	
245207-*	EBK.50 B-M12-C-SOFT-*	50	60	37	20	M12	20	80	

EBK-H SOFT

ERGOSTYLE® SOFT

ELESA Original design

Handles



with magnifying lens



Material

High-resilience polypropylene based (PP) technopolymer, coated with "soft-touch" thermoplastic elastomer (TPE) chemically bonded, hardness 70 Shore A. The coating material is certified in compliance with FDA (U.S. Food and Drug Administration). Resistant to solvents, oils, greases and other chemical agents.

Colour

Black, matte finish.

Magnifying lens

Transparent polyamide based (PA-T) technopolymer. Resistant to solvents, oils, greases, petrol and other chemical agents (avoid contact with alcohol). Press-fit assembly. It improves the visibility of the labels.

Standard execution

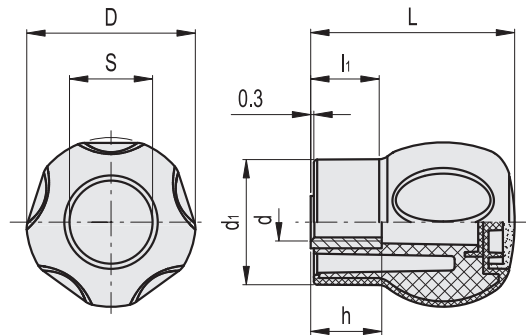
Brass boss, threaded hole.

Accessories on request

Self-adhesive labels MA. (see catalogue O38, page 374) with standard marks and symbols to be ordered separately.

Label assembly instructions

Stick the self-adhesive label (printed on the adhesive side) to the inner surface of the magnifying lens by pressing from the centre to the external side to avoid air bubbles. Assemble the magnifying lens to the handle face recess by gently tapping with a wooden or plastic mallet, until firmly in place. The label is therefore protected by the watertight magnifying lens.



Standard Elements		Main dimensions					Mounting hole			⚖
Code	Description	D	L	d ₁	l ₁	S	d _{6H}	h	g	
245104	EBK.43 B-M8-H-SOFT	43	53.5	32.5	17.5	20	M8	10	72	
245106	EBK.43 B-M10-H-SOFT	43	53.5	32.5	17.5	20	M10	10	71	
245204	EBK.50 B-M8-H-SOFT	50	60	37	20	25	M8	20	85	
245206	EBK.50 B-M10-H-SOFT	50	60	37	20	25	M10	20	82	
245208	EBK.50 B-M12-H-SOFT	50	60	37	20	25	M12	20	80	