

M.843 CLEAN CLEAN INOX

Stainless Steel

ELESA Original design

EXTENDED RANGE

Handles



Material

High resilience polyamide based (PA) technopolymer. Resistant to solvents, oils, greases and other chemical agents.

Colour

White similar to RAL 9002, glossy finish.

Standard execution

AISI 303 stainless steel bosses, threaded holes.



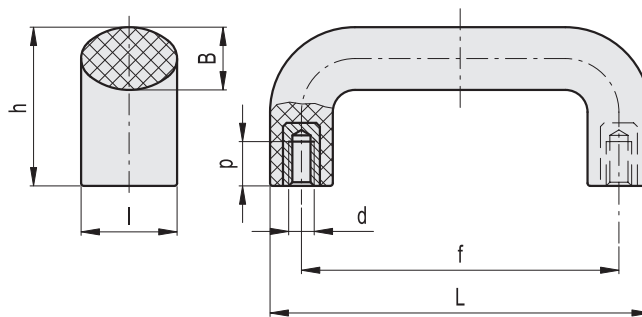
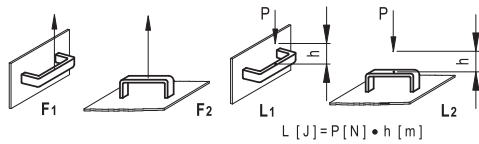
Features and applications

Thanks to its white colour and glossy finish, this handle is particularly suitable for applications on medical and hospital equipment and on food processing machines whose parts, for hygienic reasons, must be frequently cleaned. Its solid shape without cavities prevents unhealthy residues from depositing.

Technical data

Tensile stress and impact strength: F1, F2, L1 and L2 values reported in the table are the result of breaking tests carried out with the appropriate dynamometric equipment under the test conditions shown in the figure with ambient temperature.

The tests have revealed that the special technopolymer used can absorb very strong shocks, with no damages, thanks to its high-resilience.



Standard Elements		Main dimensions					Threaded bosses		F1	F2	L1	L2	⚖
Code	Description	L	f	h	B	l	d 6H	p	[N]	[N]	[J]	[J]	g
151406	M.843/100-SST-M6 CLEAN	103	86±0.5	46.5	17	26	M6	12	4000	7000	50	120	52
151412	M.843/140-SST-M8 CLEAN	138	117±0.5	54	20	30	M8	13	4500	5000	50	120	80
151416	M.843/200-SST-M8 CLEAN	200	179±1	62	20	30	M8	13	2000	2400	27	80	105
151419	M.843/320-SST-M8 CLEAN	322	300±1	64	22	32	M8	13	2000	3000	25	75	157