

M.843

ELESA Original design

EXTENDED RANGE

Handles



Material

High-resilience polyamide based (PA) technopolymer. Resistant to solvents, oils, greases and other chemical agents.

Colour

Six standard colours: black, orange, grey, yellow, light-blue, red. Glossy finish.

Standard execution

Brass bosses, threaded holes.

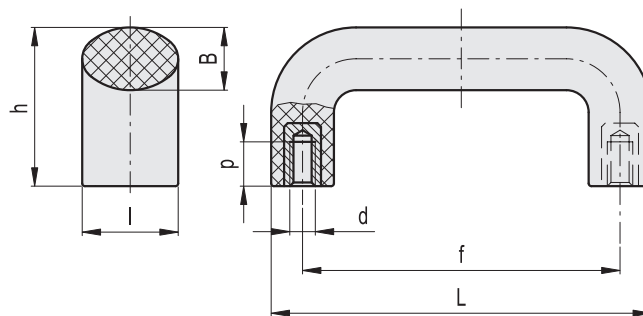
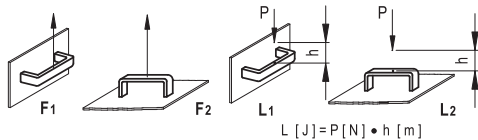
Features

This handle is particularly suitable to be produced in light colours. The glossy finish guarantees perfect cleaning.

Technical data

Tensile stress and impact strength: F1, F2, L1 and L2 values reported in the table are the result of breaking tests carried out with the appropriate dynamometric equipment under the test conditions shown in the figure with ambient temperature.

The tests have revealed that the special technopolymer used can absorb very strong shocks, with no damages, thanks to its high-resilience.



* Complete with colour index, example: M.843/140 B-M8-C2



Standard Elements						Description	Main dimensions				Threaded bosses		F1	F2	L1	L2	⚖	
C9	C2	C3	C4	C5	C6		L	f	h	B	l	d 6H	p	[N]	[N]	[J]		[J]
138101	138102	138103	138104	138105	138106	M.843/100 B-M6*	103	86±0.5	46.5	17	26	M6	12	4000	7000	50	120	52
138121	138122	138123	138124	138125	138126	M.843/140 B-M8*	138	117±0.5	54	20	30	M8	13	4000	5000	50	120	80
138141	138142	138143	138144	138145	138146	M.843/200 B-M8*	200	179±1	62	20	30	M8	13	3000	3500	27	80	105
138161	138162	138163	138164	138165	138166	M.843/320 B-M8*	322	300±1	64	22	32	M8	13	2000	3000	25	75	157