

M.543

ELESA Original design

EXTENDED RANGE

Handles



Material

Glass-fibre reinforced polyamide based (PA) technopolymer. Resistant to solvents, oils, greases and other chemical agents.

Colour

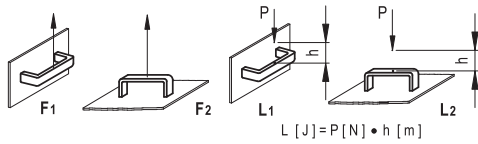
RAL 9005 black or RAL 2004 orange, matte finish.

Standard execution

Brass bosses, threaded blind holes.

Technical data

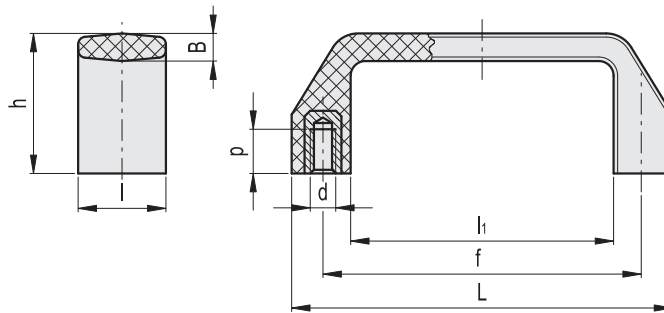
Tensile stress and impact strength: F1, F2, L1 and L2 values reported in the table are the result of breaking tests carried out with the appropriate dynamometric equipment under the test conditions shown in the figure with ambient temperature.



4

180

U-handles



* Complete with colour index, example: 37284 M.543/110 B-M6-C2



Standard Elements			Main dimensions						Threaded bosses		F1	F2	L1	L2	△
C9	C2	Description	L	f	h	B	l	l ₁	d 6H	p	[N]	[N]	[J]	[J]	g
Code											[N]	[N]	[J]	[J]	g
37283	37284	M.543/110 B-M6*	107	93.5±0.5	36	6	21	79	M6	10	2000	1800	10	6	36
37287	37289	M.543/120 B-M5*	120	105±0.5	37	7	23	90	M5	10	2000	1800	10	7	40
37288	37290	M.543/120 B-M6*	120	105±0.5	37	7	23	90	M6	10	2000	1800	10	7	38
37285	37286	M.543/140 B-M6*	134	117±0.5	38	7.5	25	102	M6	12	3000	1600	12	9	56
37291	37292	M.543/140 B-M8*	134	117±0.5	38	7.5	25	102	M8	13	3000	1600	12	9	52
37296	37297	M.543/150 B-M8*	150	132±0.5	45	7.5	26	116	M8	13	2000	1800	18	16	59