

M.443 SH

ELESA Original design

EXTENDED RANGE

Handles



Material

Glass-fibre reinforced polyamide based (PA) technopolymer. Resistant to solvents, oils, greases and other chemical agents.

Colour

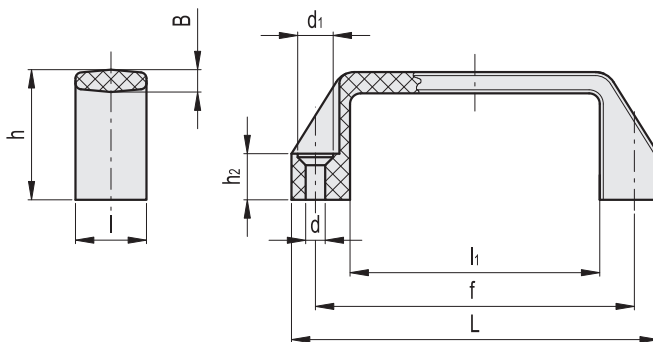
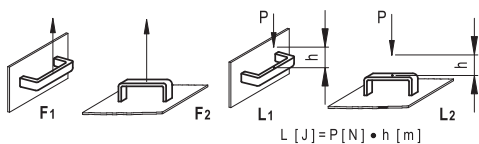
Black, matte finish.

Standard execution

Pass-through holes for countersunk head screws.

Technical data

Tensile stress and impact strength: F1, F2, L1 and L2 values reported in the table are the result of breaking tests carried out with the appropriate dynamometric equipment under the test conditions shown in the figure with ambient temperature.



Standard Elements		Main dimensions						Mounting holes			F1	F2	L1	L2	Δg
Code	Description	L	f	h	B	l	l ₁	d	d ₁	h ₂	[N]	[N]	[J]	[J]	g
37036	M.443/110-SH	109	93.5±0.5	38	6	21	74	5.5	10	13	2000	2200	16	6	24
37136	M.443/140-SH	137	117±1	41	7	26	93	6.5	12	15	2500	2300	17	7	44
37187	M.443/170-SH	160	140±1	46	7	27	113	6.5	12	16	3400	2600	27	20	64
37247	M.443/190-SH	179	160±1	50	7	28	132	6.5	12	17	3300	2700	29	20	70
37236	M.443/200-SH	196	179±1	50	7.5	28	151	6.5	12	17	2500	2400	22	15	72