

# M.443 N-CH

ELESA Original design

EXTENDED RANGE

## Handles



### Material

Glass-fibre reinforced polypropylene based (PP) technopolymer. Resistant to solvents, oils, greases and other chemical agents.

### Colour

Black, matte finish.

### Standard executions

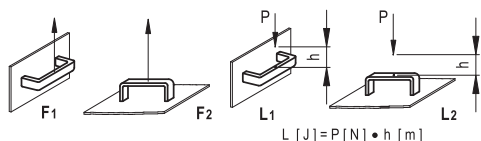
Pass-through holes for cylindrical-head screws with hexagon socket.  
M.443/180 N-CH: slotted assembly holes for fitting hole centres from 149 to 152 mm.

### Features and applications

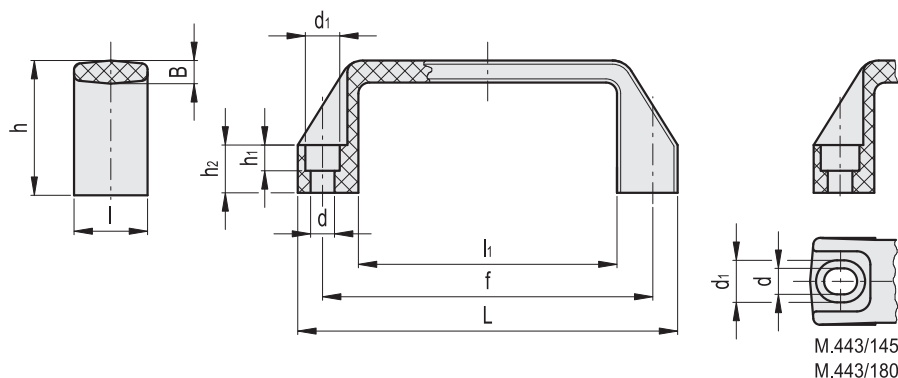
This handle made out of polypropylene based technopolymer represents an alternative to M.443 CH (see page) . See Technical Data (see page) for resistance to chemical agents. See table below for mechanical resistance.

### Technical data

Tensile stress and impact strength: F1, F2, L1 and L2 values reported in the table are the result of breaking tests carried out with the appropriate dynamometric equipment under the test conditions shown in the figure with ambient temperature.



$$L [J] = P [N] \cdot h [m]$$



M.443/145  
M.443/180

| Standard Elements |                  | Main dimensions |           |    |     |    |     | Mounting holes |      |      |    | F1   | F2   | L1  | L2  | △  |
|-------------------|------------------|-----------------|-----------|----|-----|----|-----|----------------|------|------|----|------|------|-----|-----|----|
| Code              | Description      | L               | f         | h  | B   | l  | l1  | d              | d1   | h1   | h2 | [N]  | [N]  | [J] | [J] | g  |
| 37031             | M.443/110 N-CH   | 109             | 93.5±0.5  | 38 | 6   | 21 | 74  | 6.5            | 10.5 | 7    | 13 | 1700 | 1300 | 8   | 3   | 21 |
| 37132             | M.443/140 6-N-CH | 137             | 117±1     | 41 | 7   | 26 | 93  | 6.5            | 10.5 | 6    | 15 | 2000 | 1500 | 10  | 4   | 36 |
| 37131             | M.443/140 8-N-CH | 137             | 117±1     | 41 | 7   | 26 | 93  | 8.5            | 13.5 | 8.5  | 15 | 2000 | 1500 | 10  | 4   | 34 |
| 37144             | M.443/145 N-CH   | 142             | 120÷122±1 | 41 | 7   | 26 | 100 | 8.5            | 13.5 | 8.5  | 15 | 1600 | 1500 | 12  | 5   | 36 |
| 37181             | M.443/150 N-CH   | 150             | 132±1     | 45 | 7   | 27 | 108 | 8.5            | 13.5 | 8.5  | 16 | 2000 | 1300 | 12  | 5   | 40 |
| 37186             | M.443/170 N-CH   | 160             | 140±1     | 46 | 7   | 27 | 113 | 8.5            | 13.5 | 8.5  | 16 | 1800 | 1300 | 13  | 6   | 44 |
| 37196             | M.443/180 N-CH   | 172             | 149÷152±1 | 47 | 7   | 27 | 125 | 8.5            | 13.5 | 8.5  | 17 | 1500 | 1300 | 14  | 7   | 46 |
| 37246             | M.443/190 N-CH   | 179             | 160±1     | 50 | 7.5 | 28 | 132 | 8.5            | 13.5 | 8.5  | 17 | 1800 | 1300 | 15  | 7   | 54 |
| 37231             | M.443/200 N-CH   | 196             | 179±1     | 50 | 7.5 | 28 | 151 | 8.5            | 13.5 | 8.5  | 17 | 1800 | 1300 | 16  | 8   | 62 |
| 37281             | M.443/260 N-CH   | 260             | 235±1     | 54 | 8.5 | 30 | 201 | 10.5           | 16.5 | 10.5 | 20 | 1700 | 1700 | 17  | 11  | 92 |