

# M.1043

ELESA Original design

**INOX**  
Stainless Steel

EXTENDED RANGE

## Tubular handles front mounting



### • Handle shanks

Glass-fibre reinforced polyamide based (PA) technopolymer, black colour, matte finish. Supplied not assembled. The handle shank connection to the tube avoids tube rotation.

Handle shanks group can be sold separately as well (tube not included).

Code	Description
15302	GR-M.1043/20
15301	GR-M.1043/30

### • Anti-rotation tube end plugs

NBR synthetic rubber.

### • Standard executions

Pass-through holes for cylindrical-head screws with hexagon socket.

Two reference pins (to be fitted during handle assembly) guarantee an exact positioning of the shanks.

- **M.1043-EP**: aluminium tube, epoxy resin coating, metallflake graphite colour, matte finish. Highly resistant to wear, scratches and chemical agents. Avoid continuous and prolonged contact with boiling water or steam.

- **M.1043-AN**: anodised aluminium tube, natural colour.

- **M.1043-SST**: AISI 304 stainless steel tube.

### Special executions on request

- Different lengths.

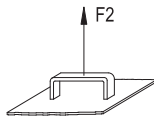
- For tube longer than 700 mm, the handle is available also with an additional shank at the middle of the length.

For tube with diameter 20 shank with code 15306 SCM.1043-20, for tube with diameter 30 shank with code 15305 SCM.1043-30.

- Other colours.

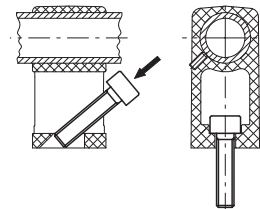
### Technical data

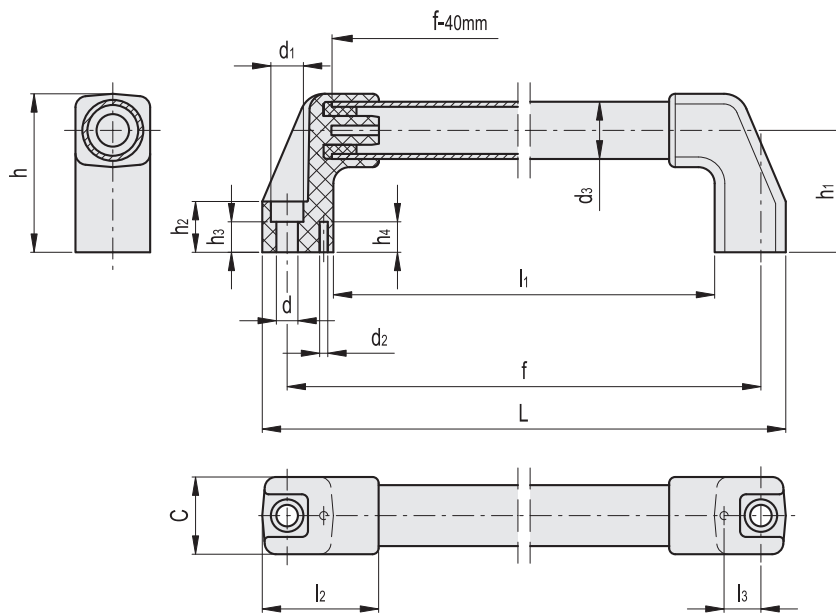
Tensile stress: F2 values reported in the table are the result of breaking tests carried out with the appropriate dynamometric equipment under the test conditions shown in the figure with ambient temperature.



### Assembly

SCM. additional shank at the middle of the length





Standard Elements		Main dimensions										Mounting holes				F2 [N]			△△
Code	Description	L	f	h	C	l <sub>1</sub>	l <sub>2</sub>	l <sub>3</sub>	h <sub>1</sub>	h <sub>4</sub>	d <sub>2</sub>	d <sub>3</sub>	d	d <sub>1</sub>	h <sub>2</sub>	h <sub>3</sub>	E #	R #	g
37631	M.1043/20-300-EP	320	300±1	58	28	262	47	13	45	15	4	20	8.5	13.5	18	9.5	1500	2000	140
37633	M.1043/20-300-AN	320	300±1	58	28	262	47	13	45	15	4	20	8.5	13.5	18	9.5	1500	2000	140
37641	M.1043/20-350-EP	370	350±1	58	28	312	47	13	45	15	4	20	8.5	13.5	18	9.5	1400	1800	152
37643	M.1043/20-350-AN	370	350±1	58	28	312	47	13	45	15	4	20	8.5	13.5	18	9.5	1400	1800	152
37651	M.1043/20-400-EP	420	400±1	58	28	362	47	13	45	15	4	20	8.5	13.5	18	9.5	1200	1600	163
37653	M.1043/20-400-AN	420	400±1	58	28	362	47	13	45	15	4	20	8.5	13.5	18	9.5	1200	1600	163
37661	M.1043/20-500-EP	520	500±1	58	28	462	47	13	45	15	4	20	8.5	13.5	18	9.5	1000	1200	185
37663	M.1043/20-500-AN	520	500±1	58	28	462	47	13	45	15	4	20	8.5	13.5	18	9.5	1000	1200	185
37671	M.1043/20-600-EP	620	600±1	58	28	562	47	13	45	15	4	20	8.5	13.5	18	9.5	800	1000	210
37673	M.1043/20-600-AN	620	600±1	58	28	562	47	13	45	15	4	20	8.5	13.5	18	9.5	800	1000	210
37681	M.1043/20-700-EP	720	700±1	58	28	662	47	13	45	15	4	20	8.5	13.5	18	9.5	600	900	232
37683	M.1043/20-700-AN	720	700±1	58	28	662	47	13	45	15	4	20	8.5	13.5	18	9.5	600	900	232
37701	M.1043/30-300-EP	324	300±1	78	38	254	57	18	60	15	4	30	10.5	16	25	15	3000	3900	255
37703	M.1043/30-300-AN	324	300±1	78	38	254	57	18	60	15	4	30	10.5	16	25	15	3000	3900	255
37711	M.1043/30-350-EP	374	350±1	78	38	304	57	18	60	15	4	30	10.5	16	25	15	2600	3500	277
37713	M.1043/30-350-AN	374	350±1	78	38	304	57	18	60	15	4	30	10.5	16	25	15	2600	3500	277
37721	M.1043/30-400-EP	424	400±1	78	38	354	57	18	60	15	4	30	10.5	16	25	15	2200	3300	295
37723	M.1043/30-400-AN	424	400±1	78	38	354	57	18	60	15	4	30	10.5	16	25	15	2200	3300	295
37731	M.1043/30-500-EP	524	500±1	78	38	454	57	18	60	15	4	30	10.5	16	25	15	1800	2400	337
37733	M.1043/30-500-AN	524	500±1	78	38	454	57	18	60	15	4	30	10.5	16	25	15	1800	2400	337
37741	M.1043/30-600-EP	624	600±1	78	38	554	57	18	60	15	4	30	10.5	16	25	15	1600	2000	378
37743	M.1043/30-600-AN	624	600±1	78	38	554	57	18	60	15	4	30	10.5	16	25	15	1600	2000	378
37751	M.1043/30-700-EP	724	700±1	78	38	654	57	18	60	15	4	30	10.5	16	25	15	1300	1800	417
37753	M.1043/30-700-AN	724	700±1	78	38	654	57	18	60	15	4	30	10.5	16	25	15	1300	1800	417

Standard Elements		Main dimensions										Mounting holes				F2 [N]			△△
Code	Description	L	f	h	C	l <sub>1</sub>	l <sub>2</sub>	l <sub>3</sub>	h <sub>1</sub>	h <sub>4</sub>	d <sub>2</sub>	d <sub>3</sub>	d	d <sub>1</sub>	h <sub>2</sub>	h <sub>3</sub>	E #	R #	g
37632	M.1043/20-300-SST	320	300±1	58	28	262	47	13	45	15	4	20	8.5	13.5	18	9.5	3000	4500	142
37642	M.1043/20-350-SST	370	350±1	58	28	312	47	13	45	15	4	20	8.5	13.5	18	9.5	2500	4000	154
37652	M.1043/20-400-SST	420	400±1	58	28	362	47	13	45	15	4	20	8.5	13.5	18	9.5	2000	3500	166
37662	M.1043/20-500-SST	520	500±1	58	28	462	47	13	45	15	4	20	8.5	13.5	18	9.5	1600	2500	190
37672	M.1043/20-600-SST	620	600±1	58	28	562	47	13	45	15	4	20	8.5	13.5	18	9.5	1100	1800	215
37682	M.1043/20-700-SST	720	700±1	58	28	662	47	13	45	15	4	20	8.5	13.5	18	9.5	900	1400	240
37702	M.1043/30-300-SST	324	300±1	78	38	254	57	18	60	15	4	30	10.5	16	25	15	4200	5500	258
37712	M.1043/30-350-SST	374	350±1	78	38	304	57	18	60	15	4	30	10.5	16	25	15	4000	5250	282
37722	M.1043/30-400-SST	424	400±1	78	38	354	57	18	60	15	4	30	10.5	16	25	15	3800	5000	302
37732	M.1043/30-500-SST	524	500±1	78	38	454	57	18	60	15	4	30	10.5	16	25	15	3500	4500	343
37742	M.1043/30-600-SST	624	600±1	78	38	554	57	18	60	15	4	30	10.5	16	25	15	2800	4000	385
37752	M.1043/30-700-SST	724	700±1	78	38	654	57	18	60	15	4	30	10.5	16	25	15	2250	3500	425

# E = Maximum working load R = Load at breakage (permanent deformation).