

# GN 730

EXTENDED RANGE

## Guard safety handles

RoHS

### Material

Aluminium profile.

- Version **EL**: anodised, natural colour, matte finish.

- Version **BL**: natural aluminium.

- Version **SW**: RAL 9005 black colour, matte finish, epoxy resin coating.

- Version **SR**: RAL 9006 silver colour, matte finish, epoxy resin coating.

### • Assembly

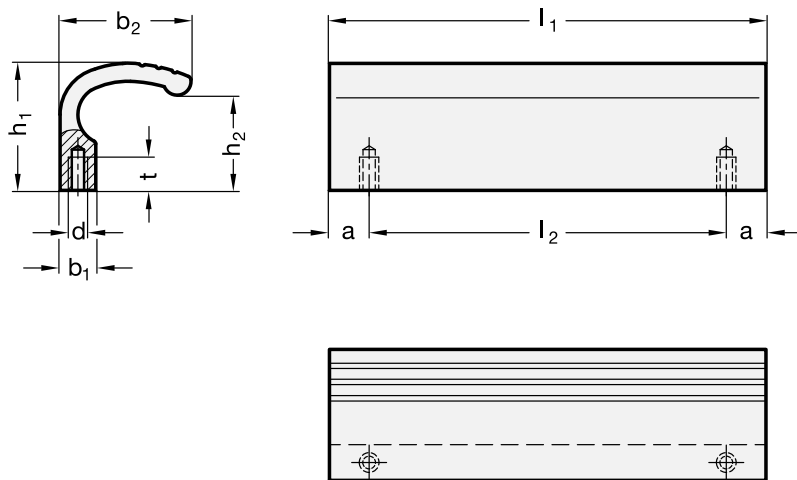
Tapped blind holes.

**Special executions on request** (For sufficient quantities)

Different lengths.

### Features and applications

A typical field of application is on hinged protective doors on machinery and installations.



4

189

U-handles

Standard Elements	Main dimensions							Mounting holes		$\Delta$
Description	$l_1 \pm 0.25$	a	b1	b2	h1	h2	$l_2 \pm 0.2$	d	t min.	g
GN 730-110-EL	110	10	9.5	33	32	24	90	M6	9	98
GN 730-110-BL	110	10	9.5	33	32	24	90	M6	9	94
GN 730-110-SW	110	10	9.5	33	32	24	90	M6	9	100
GN 730-110-SR	110	10	9.5	33	32	24	90	M6	9	100
GN 730-125-EL	125	10	9.5	33	32	24	105	M6	9	108
GN 730-125-BL	125	10	9.5	33	32	24	105	M6	9	105
GN 730-125-SW	125	10	9.5	33	32	24	105	M6	9	110
GN 730-125-SR	125	10	9.5	33	32	24	105	M6	9	110
GN 730-140-EL	140	10	9.5	33	32	24	120	M6	9	120
GN 730-140-BL	140	10	9.5	33	32	24	120	M6	9	120
GN 730-140-SW	140	10	9.5	33	32	24	120	M6	9	125
GN 730-140-SR	140	10	9.5	33	32	24	120	M6	9	125