

Tubular handles

RoHS

- **Tube**
AISI 304 stainless steel, ground matte shiny finish.
- **Handle shanks**
AISI 304 stainless steel, ground matte shiny finish.
- **Mounting stud**
AISI 304 stainless steel, with threaded pin DIN 913-M8.
- **Grub screw**
AISI 304 stainless steel DIN 914-M5.
- **Tube end caps**
 - Version **K**: Plastic (Polyamide PA), black matte finish.
 - Version **E**: AISI 304 stainless steel.

Special executions on request (For sufficient quantities)

Different lengths.

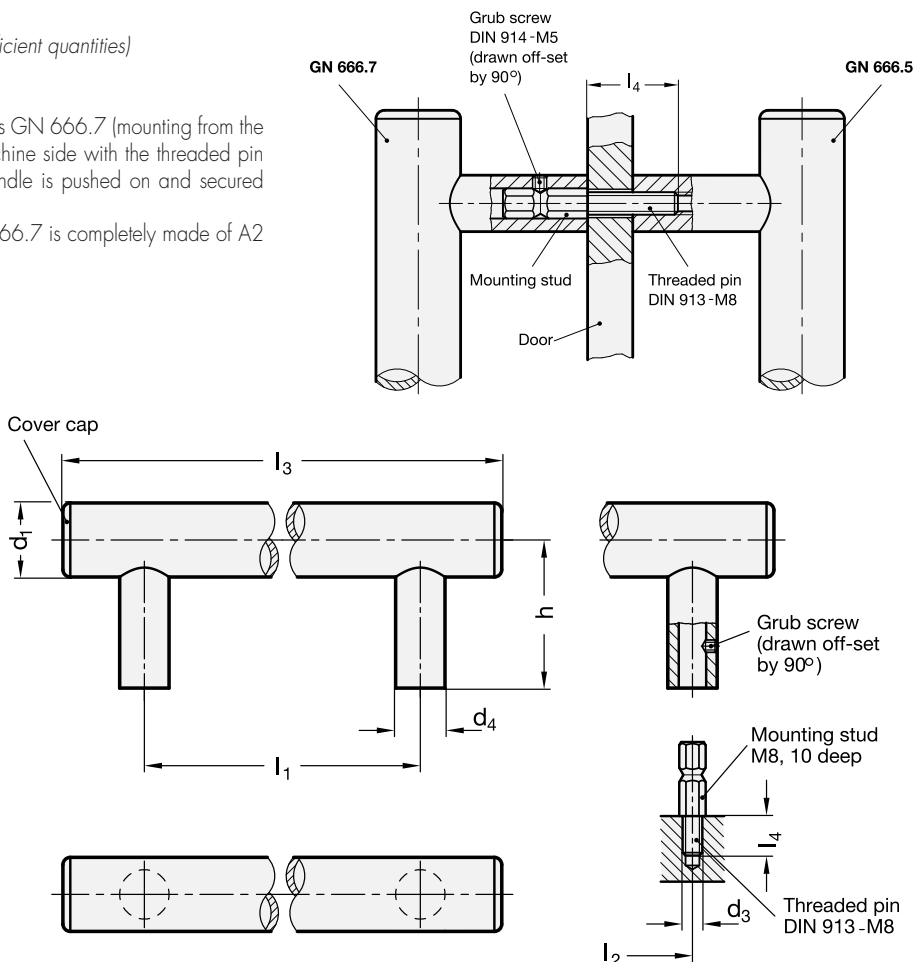
Features and applications

For a mounting of stainless steel tubular handles GN 666.7 (mounting from the back) the stud is first screwed in from the machine side with the threaded pin DIN 913-M8x25 (included) and then the handle is pushed on and secured with the grub screw DIN 914-M5.

Type E of stainless steel tubular handles GN 666.7 is completely made of A2 stainless steel.

Example of application

Tubular handles GN 666.7 allow the mounting of a pair of handles in opposite position. This method could be used on doors (double handle). Generally a modification of the thread length l_4 is required for this. The included threaded pin DIN 913-M8x25-A2 of the mounting stud needs to be replaced by a longer threaded pin, too. Handles with a modified thread length l_4 are available on request.



Standard Elements	Main dimensions					Screws			$\Delta\Delta$
Description	d1	l1 ±0.5	d4	h	l3	d3	l2 ±0.3	l4	g
GN 666.7-30-M8-200-E	30	200	20	60	265	M8	200	15	480
GN 666.7-30-M8-200-K	30	200	20	60	265	M8	200	15	480
GN 666.7-30-M8-250-E	30	250	20	60	315	M8	250	15	590
GN 666.7-30-M8-250-K	30	250	20	60	315	M8	250	15	590
GN 666.7-30-M8-300-E	30	300	20	60	365	M8	300	15	730
GN 666.7-30-M8-300-K	30	300	20	60	365	M8	300	15	730
GN 666.7-30-M8-400-E	30	400	20	60	465	M8	400	15	800
GN 666.7-30-M8-400-K	30	400	20	60	465	M8	400	15	800
GN 666.7-30-M8-500-E	30	500	20	60	565	M8	500	15	890
GN 666.7-30-M8-500-K	30	500	20	60	565	M8	500	15	890
GN 666.7-30-M8-600-E	30	600	20	60	665	M8	600	15	1000
GN 666.7-30-M8-600-K	30	600	20	60	665	M8	600	15	1000