

Tubular handles



- **Tube**
AISI 304 stainless steel, ground matte shiny finish.
- **Handle shanks**
AISI 304 stainless steel, ground matte shiny finish.
- **Tube end caps**
 - Version **K**: Plastic (Polyamide PA), black matt.
 - Version **E**: AISI 304 stainless steel.
- **Grub screw**
AISI 304 stainless steel DIN 914-M5.



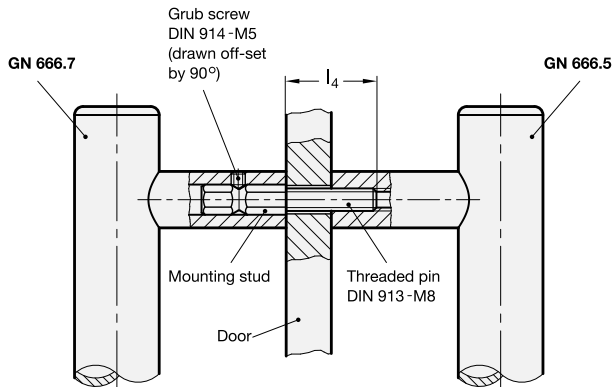
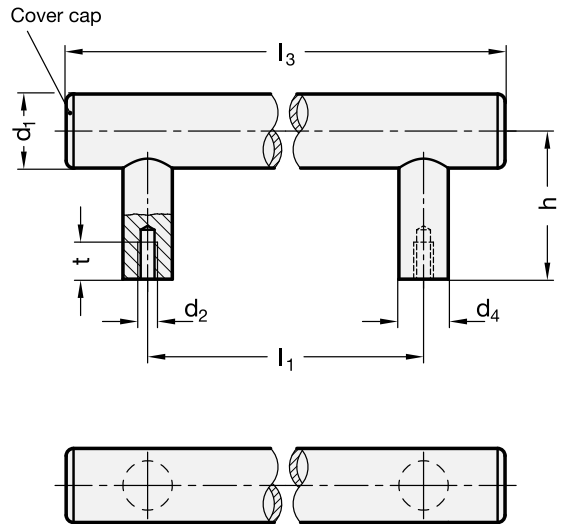
Special executions available on request (For sufficient quantities)
Different lengths.

Features and applications

For a mounting of stainless steel tubular handles GN 666.5 (mounting from the back) the stud is first screwed in from the machine side with the threaded pin DIN 913-M8x25 (included) and then the handle is pushed on and secured with the grub screw DIN 914-M5. Type E of Stainless Steel-Tubular handles GN 666.5 is completely made of A2-Stainless Steel.

Examples of application

Tubular handles GN 666.5 allow the mounting of a pair of handles in opposite position. This method could be used on doors (double handle). Generally a modification of the thread length l_4 is required for this. The included threaded pin DIN 913-M8x25-A2 of the mounting stud needs to be replaced by a longer threaded pin, too. Handles with a modified thread length l_4 are available on request.



Standard Elements	Main dimensions					Mounting holes		\triangle
Description	d_1	$l_1 \pm 0.5$	d_4	h	l_3	d_2	$t_{min.}$	g
GN 666.5-30-M6-200-*	30	200	20	60	265	M6	15	500
GN 666.5-30-M6-250-*	30	250	20	60	315	M6	15	600
GN 666.5-30-M6-300-*	30	300	20	60	365	M6	15	720
GN 666.5-30-M6-400-*	30	400	20	60	465	M6	15	800
GN 666.5-30-M6-500-*	30	500	20	60	565	M6	15	900
GN 666.5-30-M6-600-*	30	600	20	60	665	M6	15	1000
GN 666.5-30-M8-200-*	30	200	20	60	265	M8	15	550
GN 666.5-30-M8-250-*	30	250	20	60	315	M8	15	650
GN 666.5-30-M8-300-*	30	300	20	60	365	M8	15	790
GN 666.5-30-M8-400-*	30	400	20	60	465	M8	15	850
GN 666.5-30-M8-500-*	30	500	20	60	565	M8	15	980
GN 666.5-30-M8-600-*	30	600	20	60	665	M8	15	1050

* Complete the description of the standard item needed by adding the version of the tube end caps: K (plastic, black matt) or E (stainless steel).