

Tubular handles



- **Tube**
Aluminium, wall thickness 1.5 mm.
- **Handle shanks**
Polyamide based (PA) technopolymer, glas fibre reinforced, temperature resistant up to 100 °C.
- **Tube end caps**
Polyamide based (PA) technopolymer, glas fibre reinforced, temperature resistant up to 100 °C.
- **Finish**
 - Version **SW**:
Tube: RAL 9005 black colour, matte finish, epoxy resin coating.
Handle shanks: black, matte finish.
Tube end caps: black, matte finish.
 - Version **EL**:
Tube: anodised, natural colour.
Handle shanks: black, matte finish.
Tube end caps: black, matte finish.
 - Version **ELG**:
Tube: anodised, natural colour.
Handle shanks: light grey, matte finish.
Tube end caps: light grey, matte finish.
- **Assembly**
Front mounting, black zinc-plated steel socket-head DIN 912-M8x85 screws and zinc-plated steel nuts and washers.

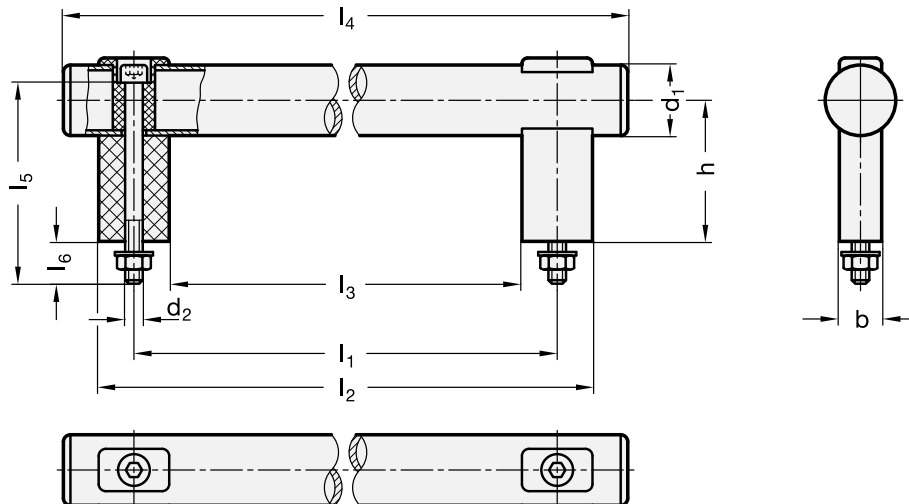


Special executions on request (For sufficient quantities)

Different lengths.

Features and applications

GN 666.1 tubular handles offer an even more extensive size range for any application which require mounting from the back.



Standard Elements	Main dimensions							Screws			Δ
Description	d1	l1 ±0.5	b	h	l2	l3	l4	d2	l5	l6	g
GN 666.1-30-200-*	30	200	18	60	230	170	265	M8	85	17	250
GN 666.1-30-250-*	30	250	18	60	280	220	315	M8	85	17	265
GN 666.1-30-300-*	30	300	18	60	330	270	365	M8	85	17	285
GN 666.1-30-400-*	30	400	18	60	430	370	465	M8	85	17	320
GN 666.1-30-500-*	30	500	18	60	530	470	565	M8	85	17	360
GN 666.1-30-600-*	30	600	18	60	630	570	665	M8	85	17	440

* Complete the description of the standard item needed by adding the index of the finish of the tube and the handle shanks: SW (black/black), EL (anodised/black) or ELG (anodised/light grey).