

Tubular handles



- **Tube**
Aluminium, wall thickness 1.5 mm.
- **Handle shanks**
Polyamide based (PA) technopolymer, glas fibre reinforced, temperature resistant up to 100 °C.
- **Tube end caps**
Polyamide based (PA) technopolymer, glas fibre reinforced, temperature resistant up to 100 °C.
- **Finish**
 - Version **SW**:
Tube: RAL 9005 black colour, matte finish, epoxy resin coating.
Handle shanks: black, matte finish.
Tube end caps: black, matte finish.
 - Version **EL**:
Tube: anodised, natural colour.
Handle shanks: black, matte finish.
Tube end caps: black, matte finish.
 - Version **ELG**: Tube: anodised, natural colour.
Handle shanks: light grey, matte finish.
Tube end caps: light grey, matte finish.
- **Assembly**
Back mounting, zinc-plated steel threaded bushings.



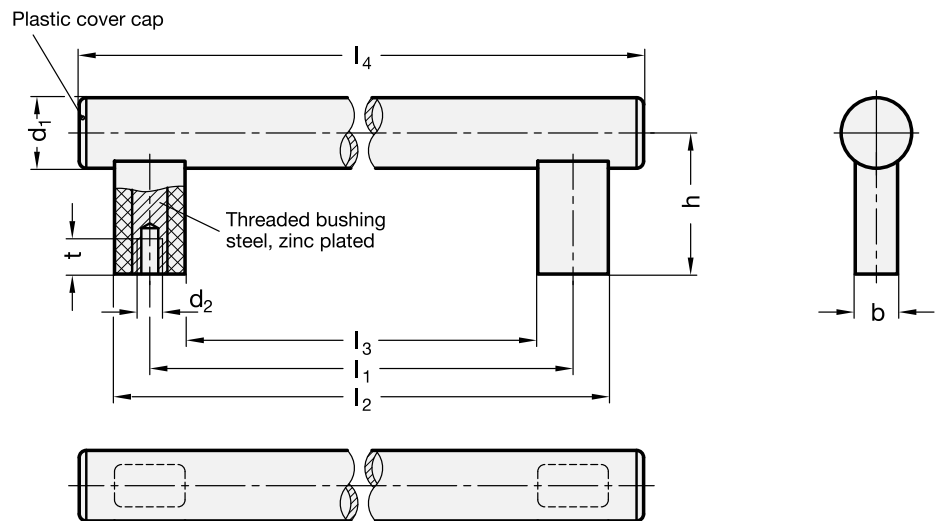
Special executions on request

(For sufficient quantities)

Different lengths.

Features and applications

GN 666 tubular handles offer an even more extensive size range for any application which require mounting from the back.



Standard Elements	Main dimensions							Mounting holes		$\Delta\Delta$
Description	d ₁	l ₁ ±0.5	b	h	l ₂	l ₃	l ₄	d ₂	t min.	g
GN 666-30-M6-200-*	30	200	18	60	230	170	265	M6	12	219
GN 666-30-M8-200-*	30	200	18	60	230	170	265	M8	15	229
GN 666-30-M6-250-*	30	250	18	60	280	220	315	M6	12	240
GN 666-30-M8-250-*	30	250	18	60	280	220	315	M8	15	248
GN 666-30-M6-300-*	30	300	18	60	330	270	365	M6	12	260
GN 666-30-M8-300-*	30	300	18	60	330	270	365	M8	15	265
GN 666-30-M6-350-*	30	350	18	60	380	320	415	M6	12	265
GN 666-30-M8-350-*	30	350	18	60	380	320	415	M8	15	290
GN 666-30-M6-400-*	30	400	18	60	430	370	465	M6	12	300
GN 666-30-M8-400-*	30	400	18	60	430	370	465	M8	15	305
GN 666-30-M6-500-*	30	500	18	60	530	470	565	M6	12	320
GN 666-30-M8-500-*	30	500	18	60	530	470	565	M8	15	340
GN 666-30-M6-600-*	30	600	18	60	630	570	665	M6	12	365
GN 666-30-M8-600-*	30	600	18	60	630	570	665	M8	15	370

* Complete the description of the standard item needed by adding the index of the finish of the tube and the handle shanks: SW (black/black), EL (anodised/black) or ELG (anodised/light grey).