

GN 559

EXTENDED RANGE

Handles



Material

- Aluminium, epoxy resin coating.
- Version **SW**: RAL 9005, black colour, matte finish.
- Version **SR**: RAL 9006, silver, matte finish.

Assembly

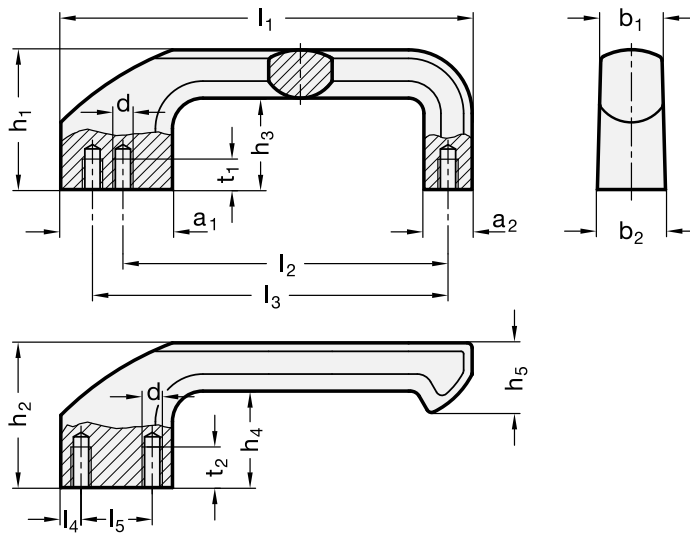
- Tapped blind holes.
- Version **A**: closed-ended handle.
- Version **B**: open-ended handle.

Features and applications

A special characteristic of the Handle GN 559 is the thumb rest pad on the front of the leg.

At the same time the extended leg offers an open ended version with wide access.

Handles GN 559 are known for their high stability. They are fixed by two M8 screws whereby type A offers two alternative hole centers (l_2 or l_3).



Standard Elements	Main dimensions													Mounting holes			\triangle	
Description	$l_1 \pm 0.25$	a_1	a_2	b_1	b_2	h_1	h_2	h_3	h_4	h_5	l_2	$l_3 \pm 0.2$	l_4	l_5	d	$t_1 \text{ min.}$	$t_2 \text{ min.}$	g
GN 559-162-A-SW	162	38	19	25	28	55	-	36	-	28	128	140	8	22	M8	12	16	262
GN 559-162-A-SR	162	38	19	25	28	55	-	36	-	28	128	140	8	22	M8	12	16	262
GN 559-162-B-SW	162	-	-	-	-	-	57	36	38	28	128	-	8	22	M8	-	16	248
GN 559-162-B-SR	162	-	-	-	-	-	57	36	38	28	128	-	8	22	M8	-	16	248