

GN 430

Guard safety handles



Aluminium tube

- Version **SW**: RAL 9005 black, matte finish, epoxy resin coating.
- Version **EL**: anodised, natural colour, matte finish.

Side end caps

- Polyamide based (PA) technopolymer, black grey colour.

Special executions on request (For sufficient quantities)

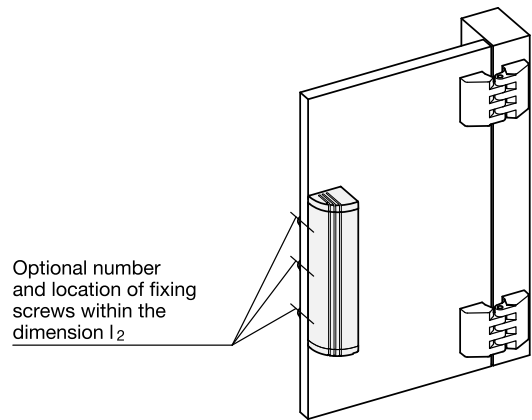
Different lengths.

Features and applications

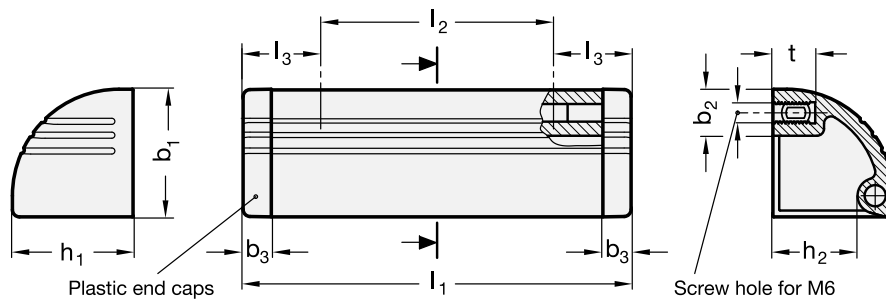
Typical applications for guard safety handles GN 430 include swivel or sliding doors on protective doors and equipment. They are also suitable for use as drawer handles. The screw channel for screw size M6 (extruded aluminium) allows an optional number of fixing screws in any position within the dimension l_2 . The minimum screw-in depth of 10 mm in the guard safety handle GN 430 must be maintained. The aluminium profile section is available in any length; the end caps are also available individually.

Assembly instructions (for every screw coupling)

- Maximum load: 400 N.
- Maximum tightening torque: 4 Nm.
- Minimum screw-in depth: 10 mm.



Optional number and location of fixing screws within the dimension l_2



Standard Elements	Main dimensions								Mounting holes		Δ
Description	l_1	b_1	b_3	h_1	h_2	l_2	l_3	b_2	t	g	
GN 430-110-SW	110	36	8	34	24	66	22	13	12	86	
GN 430-110-EL	110	36	8	34	24	66	22	13	12	86	
GN 430-130-SW	130	36	8	34	24	86	22	13	12	101	
GN 430-130-EL	130	36	8	34	24	86	22	13	12	101	
GN 430-150-SW	150	36	8	34	24	106	22	13	12	117	
GN 430-150-EL	150	36	8	34	24	106	22	13	12	117	
GN 430-200-SW	200	36	8	34	24	156	22	13	12	157	
GN 430-200-EL	200	36	8	34	24	156	22	13	12	157	
GN 430-250-SW	250	36	8	34	24	206	22	13	12	196	
GN 430-250-EL	250	36	8	34	24	206	22	13	12	196	
GN 430-300-SW	300	36	8	34	24	256	22	13	12	233	
GN 430-300-EL	300	36	8	34	24	256	22	13	12	233	
GN 430-400-SW	400	36	8	34	24	356	22	13	12	314	
GN 430-400-EL	400	36	8	34	24	356	22	13	12	314	
GN 430-500-SW	500	36	8	34	24	456	22	13	12	388	
GN 430-500-EL	500	36	8	34	24	456	22	13	12	388	