

GN 426.1

EXTENDED RANGE

Double-curved cabinet handles

RoHS

Material

- Aluminium bar for \varnothing 20 mm.
- Aluminium tube, thickness 4 mm for \varnothing 28 mm.

Colour

- Version **BL**: natural aluminium.
- Version **SW**: RAL 9005 black colour, matte finish, epoxy resin coating.
- Version **SR**: RAL 9006 silver colour, matte finish, epoxy resin coating.

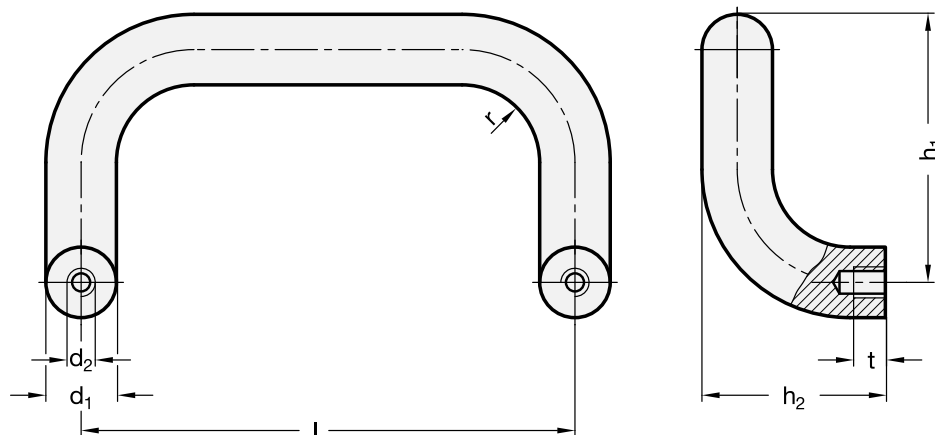
Assembly

- Tapped blind holes in the bar for \varnothing 20 mm.
- Aluminium tapped bosses in the tube for \varnothing 28 mm.

Features and applications

Double-curved cabinet handles GN 426.1 are produced from profiled aluminium extrusions.

The manufacturing process (bending) allows the production of special lengths in relatively small quantities.



Standard Elements	Main dimensions					Mounting holes		\triangle/\triangle
Description	d1	l ± 0.25	h1	h2	r	d2	t min.	g
GN 426.1-AL-20-200-*	20	200	105	68	22	M8	15	380
GN 426.1-AL-20-300-*	20	300	105	68	22	M8	15	475
GN 426.1-AL-28-250-*	28	250	120	72	32	M10	15	430
GN 426.1-AL-28-350-*	28	350	120	72	32	M10	15	505
GN 426.1-AL-28-500-*	28	500	120	72	32	M10	15	628

* Complete the description of the standard item by adding the index of the finish: SW (black), SR (silver) or BL (natural aluminium).