

# GN 424.1

# GN 424.5

**INOX**  
Stainless Steel

## Arch-shaped handles

RoHS

### • Material

Steel. Round cross section bar.

- Version **SW**: RAL 9005 black, matte finish, epoxy resin coating.
- Version **SR**: RAL 9006 silver, matte finish, epoxy resin coating.
- Version **CR**: chrome-plated surface.

### • Assembly

Tapped blind holes.

## Arch-shaped handles

RoHS

### • Material

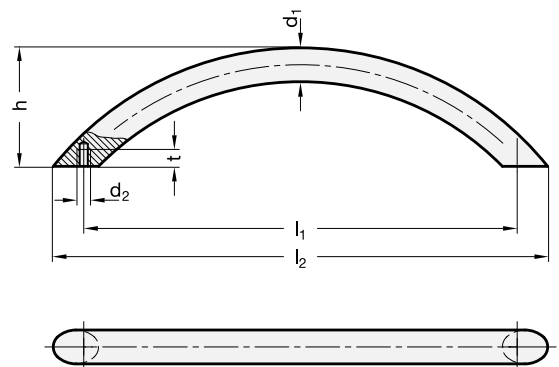
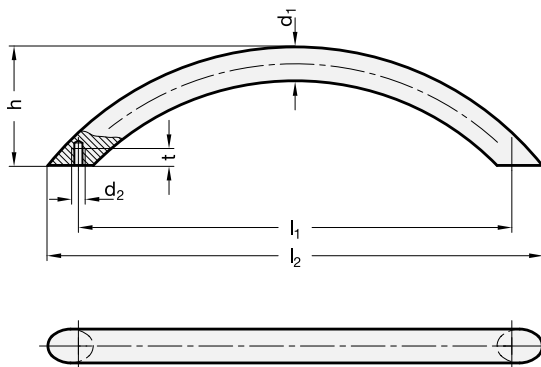
AISI 303 stainless steel. Round cross section bar, brushed matte finish.

### • Assembly

Tapped blind holes.

### Features and applications

AISI 303 stainless steel, thanks to its high resistance to corrosion, allows the application of these handles on machines and equipment in those sectors where laws or particular hygienic, climatic and environmental factors make it mandatory to use corrosion resistant materials.



Standard Elements	Main dimensions				Mounting holes		⚖
Description	d1	l1	l2 ≈	h ≈	d2	t min.	g
GN 424.1-10-64-SW	10	64 ±0.25	75	35	M4	5	55
GN 424.1-10-64-SR	10	64 ±0.25	75	35	M4	5	55
GN 424.1-10-64-CR	10	64 ±0.25	75	35	M4	5	55
GN 424.1-10-96-SW	10	96 ±0.25	111	35	M4	5	70
GN 424.1-10-96-SR	10	96 ±0.25	111	35	M4	5	70
GN 424.1-10-96-CR	10	96 ±0.25	111	35	M4	5	70
GN 424.1-10-128-SW	10	128 ±0.25	146	35	M4	5	90
GN 424.1-10-128-SR	10	128 ±0.25	146	35	M4	5	90
GN 424.1-10-128-CR	10	128 ±0.25	146	35	M4	5	90
GN 424.1-10-160-SW	10	160 ±0.25	181	35	M4	5	106
GN 424.1-10-160-SR	10	160 ±0.25	181	35	M4	5	106
GN 424.1-10-160-CR	10	160 ±0.25	181	35	M4	5	106
GN 424.1-10-192-SW	10	192 ±0.35	219	35	M4	5	130
GN 424.1-10-192-SR	10	192 ±0.35	219	35	M4	5	130
GN 424.1-10-192-CR	10	192 ±0.35	219	35	M4	5	130

Standard Elements	Main dimensions				Mounting holes		⚖
Description	d1	l1	l2 ≈	h ≈	d2	t min.	g
GN 424.5-10-64	10	64 ±0.25	75	35	M4	5	55
GN 424.5-10-96	10	96 ±0.25	111	35	M4	5	70
GN 424.5-10-128	10	128 ±0.25	146	35	M4	5	90
GN 424.5-10-160	10	160 ±0.25	181	35	M4	5	106
GN 424.5-10-192	10	192 ±0.35	219	35	M4	5	130