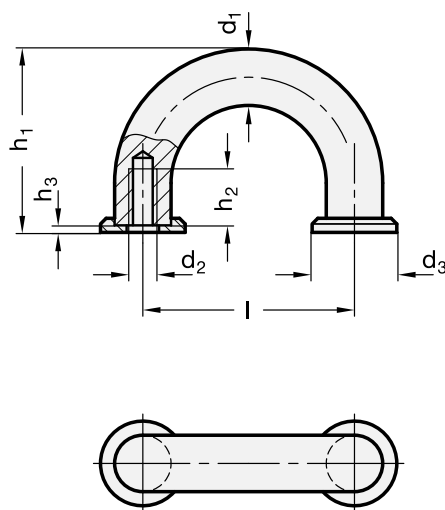


Finger handles

RoHS

- **Material**
AISI 303 stainless steel. Round cross section bar, matt brush-finished.
- **Assembly**
Tapped blind holes.
- **Washers**
Stainless steel, supplied not assembled.



Standard Elements	Main dimensions						Mounting holes		Δ
Description	d ₁	l	d ₃	h ₁	h ₂	h ₃	d ₂	t	g
GN 224.5-8-30	8	30	12	26	8	1	M4	8	20
GN 224.5-10-40	10	40	15	31	8	1	M4	8	40