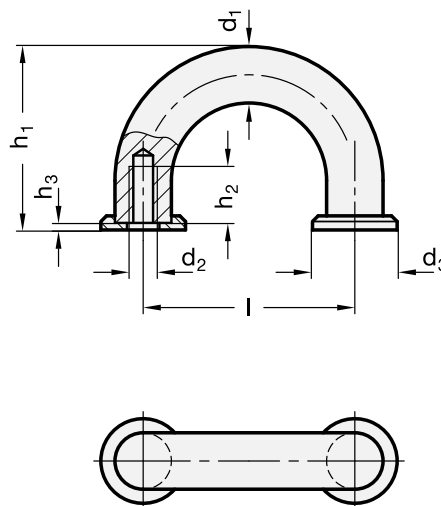


GN 224.1

Finger handles



- **Material**
Steel, Round cross section bar, chrome-plated.
- **Assembly**
Tapped blind holes.
- **Washers**
Zinc-plated steel, supplied not assembled.



Standard Elements	Main dimensions						Mounting holes		Δ
Description	d_1	l	d_3	h_1	h_2	h_3	d_2	t	g
GN 224.1-8-30-CR	8	30	12	26	8	1	M4	8	20
GN 224.1-10-40-CR	10	40	15	31	8	1	M4	8	40