

ELESA Original design

Tubular handles



• Handle shanks

Glass-fibre reinforced polyamide based (PA) technopolymer, grey-black colour, matte finish. Resistant to solvents, oils, greases and other chemical agents. Supplied not assembled.

• Side caps

Technopolymer in Ergostyle colours, glossy finish; supplied not assembled, press-fit assembly, removable by a screwdriver. Available also as accessories sold separately (see caps table).

Code	Description
29872.*	ECA.T2.*

* Complete with colour index (C1,.....,C6).

• Tube

Aluminium, epoxy resin coating, metallflake graphite colour, matte finish. Highly resistant to wear, scratches and chemical agents. Avoid continuous and prolonged contact with boiling water or steam.

• Anti-rotation tube assembling system

Special expansion-assembly system between the tube and the handle shanks to prevent rotation during operation. Suggested tightening torque 1.5 [Nm].

• Standard executions

Pass-through holes for cylindrical-head screws with hexagon socket, hexagonal-head screws or standard lock nuts.

- **ETH-EP**: aluminium tube, epoxy resin coating, metallflake graphite colour, matte finish. Highly resistant to wear, scratches and chemical agents. Avoid continuous and prolonged contact with boiling water or steam.

- **ETH-AN**: anodised aluminium tube, natural colour.

Suggested tightening torque:

- back mounting with plain holes: 8 [Nm]

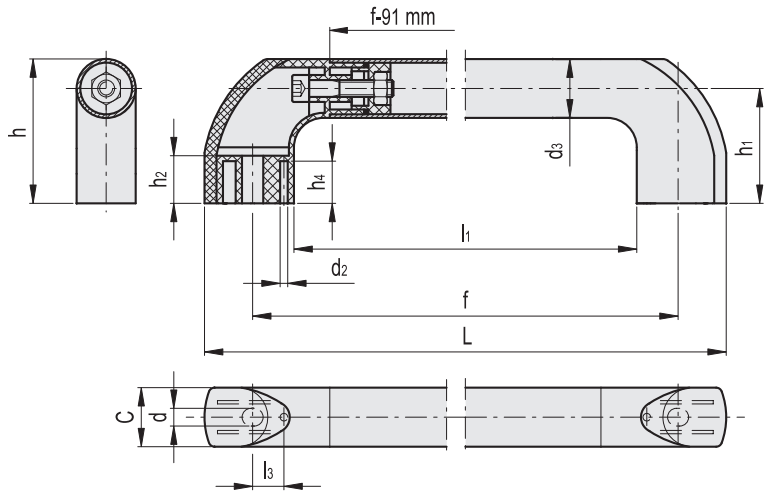
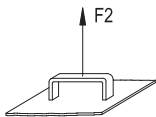
- front mounting with plain or tapped holes: 15 [Nm].

Ergonomy and design

The large diameter (Ø 35 mm) of the tube offers a good and comfortable grip; the antirotation assembly system of the handle shanks to the tube has been developed to offer a firm and secure manoeuvrability during operations.

Technical data

Tensile stress: F2 values reported in the table are the result of breaking tests carried out with the appropriate dynamometric equipment under the test conditions shown in the figure with ambient temperature.



* Complete with colour index, example: 262211-C2 ETH.35-300-C2

C1	C2	C3	C4	C5	C6
RAL7021	RAL2004	RAL7035	RAL1021	RAL5024	RAL3000

Standard Elements		Main dimensions									Mounting holes		F2 [N]		Δ	
Code	Description	L	f	h	C	l1	l3	h1	h4	d2	d3	d	h2	E #	R #	g
262211.*	ETH.35-300-EP.*	357	300±1	85.5	35	251	18.5	67	15	4	35	10.5	28	1500	7800	397
262221.*	ETH.35-500-EP.*	557	500±1	85.5	35	451	18.5	67	15	4	35	10.5	28	1500	4800	515
262231.*	ETH.35-700-EP.*	757	700±1	85.5	35	651	18.5	67	15	4	35	10.5	28	1500	3000	633
262246.*	ETH.35-1000-EP.*	1057	1000±1	85.5	35	951	18.5	67	15	4	35	10.5	28	1500	2600	810
262213.*	ETH.35-300-AN.*	357	300±1	85.5	35	251	18.5	67	15	4	35	10.5	28	1500	7800	397
262223.*	ETH.35-500-AN.*	557	500±1	85.5	35	451	18.5	67	15	4	35	10.5	28	1500	4800	515
262233.*	ETH.35-700-AN.*	757	700±1	85.5	35	651	18.5	67	15	4	35	10.5	28	1500	3000	633
262248.*	ETH.35-1000-AN.*	1057	1000±1	85.5	35	951	18.5	67	15	4	35	10.5	28	1500	2600	810

E = Maximum working load R = Load at breakage (permanent deformation).