

ELESA Original design

Handle with integrated microswitch



Material

Glass-fibre reinforced polyamide based (PA) technopolymer. Resistant to solvents, oils, greases and other chemical agents.

Colour

Grey-black, matte finish.

Microswitch with button

The device is made up of a normally open contact (NO) and a normally closed contact (NC).

Led

A red light and a green light indicate the microswitch status. Tension feed 24Vdc.

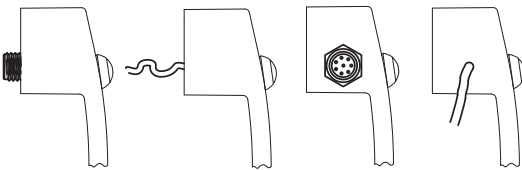
Caps

Technopolymer, grey-black colour, matte finish. Supplied assembled, removable by a screwdriver.

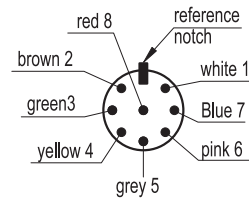
Standard executions

- **EBR-SW-B-C**: zinc-plated connector with 8 poles, back axial output.
- **EBR-SW-B-F2.5**: 8 pole cable, length 2.5 metres, back output.
- **EBR-SW-B-F5**: 8 pole cable, length 5 metres, back output.
- **EBR-SW-D-C**: zinc-plated steel connector with 8 poles, side axial output.
- **EBR-SW-D-F2.5**: 8 pole cable, length 2.5 metres, side output.
- **EBR-SW-D-F5**: 8 pole cable, length 5 metres, side output.

EBR-SW-B-C EBR-SW-B-F EBR-SW-D-C EBR-SW-D-F



Contact wiring cable



Assembly

Pass-through holes for cylindrical head screws with hexagon socket.

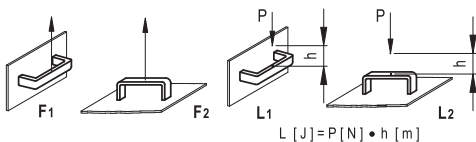
Features and applications

These handles are typically assembled on machine doors or protections. With the correct electrical connection and the machine working, the red light is turned on and the green light is off. By pressing the button, the operator, via external contact, requests access to the protected area: in this case the green light will turn on, while the red one will be off.

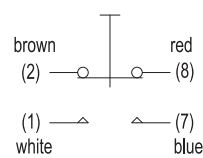
The EBR-SW handle is an ideal combination: ergonomic, functional and compact.

Technical data

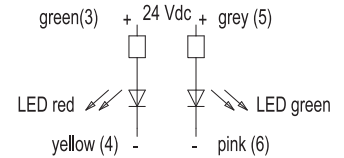
Tensile stress and impact strength: F1, F2, L1 and L2 values reported in the table are the result of breaking tests carried out with the appropriate dynamometric equipment under the test conditions shown in the figure with ambient temperature.



Switch

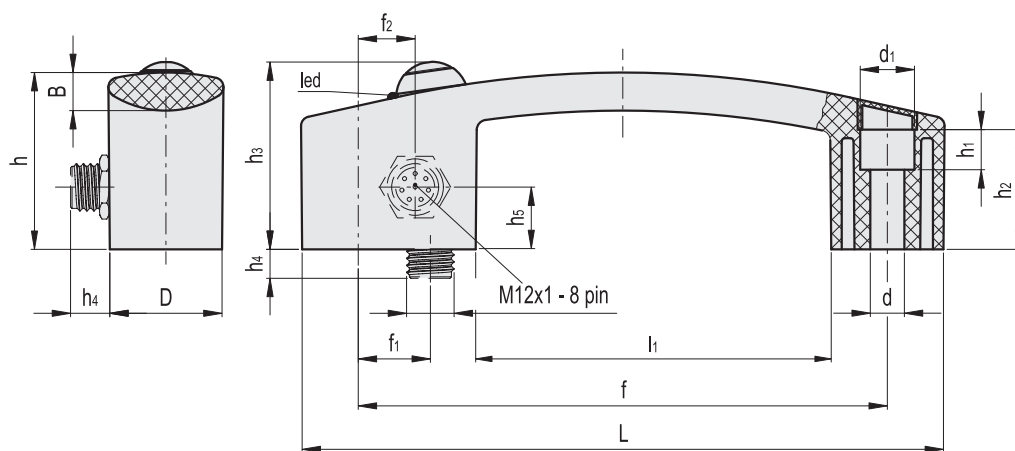


Leds



Technical features

Protection class	IP65
Mechanical/electrical duration	cycles 1 x 10 ⁶
Led light voltage	24 Vdc ± 15%
Maximum commutable voltage	max 28 Vdc / 30 Vac / max 1 A



Standard Elements		Main dimensions											Mounting holes				F ₁	F ₂	L ₁	L ₂	△
Code	Description	L	f	D	h	h ₃	B	l ₁	f ₁	h ₄	f ₂	h ₅	d	d ₁	h ₁	h ₂	[N]	[N]	[J]	[J]	g
260541-C1	EBR.150-SW-B-C	160	132±0.5	28	44	47	8.5	89	16	10	-	-	8.5	13.5	10	30	2800	2900	35	8	85
260542-C1	EBR.150-SW-B-F5	160	132±0.5	28	44	47	8.5	89	16	-	-	-	8.5	13.5	10	30	2800	2900	35	8	95
260546-C1	EBR.150-SW-B-F2.5	160	132±0.5	28	44	47	8.5	89	16	-	-	-	8.5	13.5	10	30	2800	2900	35	8	90
260551-C1	EBR.150-SW-D-C	160	132±0.5	28	44	47	8.5	89	-	13.5	14.5	13	8.5	13.5	10	30	2800	2900	35	8	85
260552-C1	EBR.150-SW-D-F5	160	132±0.5	28	44	47	8.5	89	-	-	14.5	13	8.5	13.5	10	30	2800	2900	35	8	95
260556-C1	EBR.150-SW-D-F2.5	160	132±0.5	28	44	47	8.5	89	-	-	14.5	13	8.5	13.5	10	30	2800	2900	35	8	90