

## Levelling elements



- **Base**  
Glass-fibre reinforced polyamide based (PA) technopolymer. Resistant to solvents, oils, greases and other chemical agents.
- **Colour**  
Black, matte finish.
- **Articulated stem**  
Threaded AISI 304 stainless steel with regulation square.
- **Standard executions**
  - **LVQ.A-SST**: without no-slip disk.
  - **LVQ.A-AS-SST**: with NBR rubber no-slip disk, hardness 70 Shore A, supplied assembled to the base.

The particular assembling system of the no-slip disk to the base assures a perfect anchoring, preventing separation even in case of impact during transport or of adhesion (sticking) to the floor (see No-slip disks on catalogue 038, page 756).

### Accessories on request

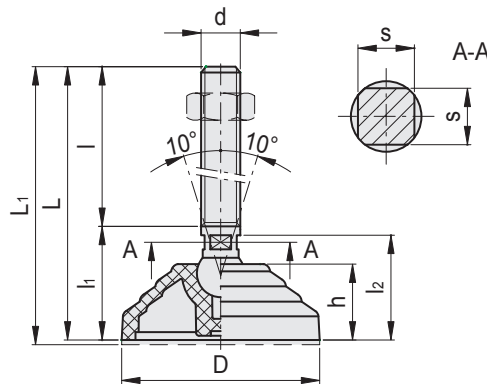
AISI 304 stainless steel nut (see Nuts NT on catalogue 038, page 756).

### Features and applications

The special knurling under the lower lip of the base provides excellent stability and grip when using the levelling element without no-slip disk even on surfaces that are not perfectly flat.

### Order information

The levelling elements are supplied unassembled to make carriage and storage easier. The components (base and stem) are supplied in separate packing: less volume taken and better protection from scratches and dirt. To order bases and stems separately, see codes of the Bases and of the Stems on catalogue 038, page 757.



Standard Elements				Main dimensions					Threaded stem		Articulation	Wrench	Max limit static load*	⚖		
LVQ.A-SST		LVQ.A-AS-SST														
Code	Description	Code	Description	D	L	L1#	h1	h2	h	d	l	Ø	s	[N]	g	g#
323901	LVQ.A-60-14-SST-M16x68	327901	LVQ.A-60-14-AS-SST-M16x68	60	102	105	34	32.5	24	M16	68	14	12	14000	128	147
323903	LVQ.A-60-14-SST-M16x108	327903	LVQ.A-60-14-AS-SST-M16x108	60	142	145	34	32.5	24	M16	108	14	12	14000	192	211
323905	LVQ.A-60-14-SST-M16x148	327905	LVQ.A-60-14-AS-SST-M16x148	60	182	185	34	32.5	24	M16	148	14	12	14000	256	275
323907	LVQ.A-60-14-SST-M16x168	327907	LVQ.A-60-14-AS-SST-M16x168	60	202	205	34	32.5	24	M16	168	14	12	14000	288	307
323911	LVQ.A-60-14-SST-M20x110	327911	LVQ.A-60-14-AS-SST-M20x110	60	149	152	39	36.5	24	M20	110	14	15	14000	292	311
323913	LVQ.A-60-14-SST-M20x150	327913	LVQ.A-60-14-AS-SST-M20x150	60	189	192	39	36.5	24	M20	150	14	15	14000	392	411
323915	LVQ.A-60-14-SST-M20x170	327915	LVQ.A-60-14-AS-SST-M20x170	60	209	212	39	36.5	24	M20	170	14	15	14000	442	461
323917	LVQ.A-60-14-SST-M20x210	327917	LVQ.A-60-14-AS-SST-M20x210	60	249	252	39	36.5	24	M20	210	14	15	14000	541	560

\* The max static load is the value above which the load applied to the element may cause some plastic material breakage, in particular conditions of use.

Obviously, a factor that takes into consideration the importance and the safety level of the specific application must be applied to this value.

# Data with no-slip disk mounted.

Standard Elements				Main dimensions					Threaded stem		Articulation	Wrench	Max limit static load*	⚖		
LVQ.A-SST		LVQ.A-AS-SST														
Code	Description	Code	Description	D	L	L1#	l1	l2	h	d	l	Ø	s	[N]	g	g#
324951	LVQ.A-70-14-SST-M16x68	328951	LVQ.A-70-14-AS-SST-M16x68	70	97	100	29	27.5	19	M16	68	14	12	14000	126	146
324953	LVQ.A-70-14-SST-M16x108	328953	LVQ.A-70-14-AS-SST-M16x108	70	137	140	29	27.5	19	M16	108	14	12	14000	190	210
324955	LVQ.A-70-14-SST-M16x148	328955	LVQ.A-70-14-AS-SST-M16x148	70	177	180	29	27.5	19	M16	148	14	12	14000	254	274
324957	LVQ.A-70-14-SST-M16x168	328957	LVQ.A-70-14-AS-SST-M16x168	70	197	200	29	27.5	19	M16	168	14	12	14000	286	306
324961	LVQ.A-70-14-SST-M20x110	328961	LVQ.A-70-14-AS-SST-M20x110	70	144	147	34	31.5	19	M20	110	14	15	14000	290	310
324963	LVQ.A-70-14-SST-M20x150	328963	LVQ.A-70-14-AS-SST-M20x150	70	184	187	34	31.5	19	M20	150	14	15	14000	390	410
324965	LVQ.A-70-14-SST-M20x170	328965	LVQ.A-70-14-AS-SST-M20x170	70	204	207	34	31.5	19	M20	170	14	15	14000	440	460
324967	LVQ.A-70-14-SST-M20x210	328967	LVQ.A-70-14-AS-SST-M20x210	70	244	247	34	31.5	19	M20	210	14	15	14000	539	559
324971	LVQ.A-70-14-SST-M24x110	328971	LVQ.A-70-14-AS-SST-M24x110	70	144	147	34	31.5	19	M24	110	14	18	14000	397	417
324973	LVQ.A-70-14-SST-M24x170	328973	LVQ.A-70-14-AS-SST-M24x170	70	204	207	34	31.5	19	M24	170	14	18	14000	612	632
324975	LVQ.A-70-14-SST-M24x210	328975	LVQ.A-70-14-AS-SST-M24x210	70	244	247	34	31.5	19	M24	210	14	18	14000	756	776

Standard Elements				Main dimensions					Threaded stem		Articulation	Wrench	Max limit static load*	⚖		
LVQ.A-SST		LVQ.A-AS-SST														
Code	Description	Code	Description	D	L	L1#	l1	l2	h	d	l	Ø	s	[N]	g	g#
325001	LVQ.A-80-14-SST-M16x68	329001	LVQ.A-80-14-AS-SST-M16x68	80	102	105	34	32.5	24	M16	68	14	12	16000	149	175
325003	LVQ.A-80-14-SST-M16x108	329003	LVQ.A-80-14-AS-SST-M16x108	80	142	145	34	32.5	24	M16	108	14	12	16000	213	239
325005	LVQ.A-80-14-SST-M16x148	329005	LVQ.A-80-14-AS-SST-M16x148	80	182	185	34	32.5	24	M16	148	14	12	16000	277	303
325007	LVQ.A-80-14-SST-M16x168	329007	LVQ.A-80-14-AS-SST-M16x168	80	202	205	34	32.5	24	M16	168	14	12	16000	309	335
325011	LVQ.A-80-14-SST-M20x110	329011	LVQ.A-80-14-AS-SST-M20x110	80	149	152	39	36.5	24	M20	110	14	15	16000	313	339
325013	LVQ.A-80-14-SST-M20x150	329013	LVQ.A-80-14-AS-SST-M20x150	80	189	192	39	36.5	24	M20	150	14	15	16000	413	439
325015	LVQ.A-80-14-SST-M20x170	329015	LVQ.A-80-14-AS-SST-M20x170	80	209	212	39	36.5	24	M20	170	14	15	16000	463	489
325017	LVQ.A-80-14-SST-M20x210	329017	LVQ.A-80-14-AS-SST-M20x210	80	249	252	39	36.5	24	M20	210	14	15	16000	562	588
325021	LVQ.A-80-14-SST-M24x110	329021	LVQ.A-80-14-AS-SST-M24x110	80	149	152	39	36.5	24	M24	110	14	18	16000	420	446
325023	LVQ.A-80-14-SST-M24x170	329023	LVQ.A-80-14-AS-SST-M24x170	80	209	212	39	36.5	24	M24	170	14	18	16000	635	661
325025	LVQ.A-80-14-SST-M24x210	329025	LVQ.A-80-14-AS-SST-M24x210	80	249	252	39	36.5	24	M24	210	14	18	16000	779	805

Standard Elements				Main dimensions					Threaded stem		Articulation	Wrench	Max limit static load*	⚖		
LVQ.A-SST		LVQ.A-AS-SST														
Code	Description	Code	Description	D	L	L1#	l1	l2	h	d	l	Ø	s	[N]	g	g#
325851	LVQ.A-100-14-SST-M16x68	329851	LVQ.A-100-14-AS-SST-M16x68	100	102	105	34	32.5	24	M16	68	14	12	16000	179	233
325853	LVQ.A-100-14-SST-M16x108	329853	LVQ.A-100-14-AS-SST-M16x108	100	142	145	34	32.5	24	M16	108	14	12	16000	243	297
325855	LVQ.A-100-14-SST-M16x148	329855	LVQ.A-100-14-AS-SST-M16x148	100	182	185	34	32.5	24	M16	148	14	12	16000	307	361
325857	LVQ.A-100-14-SST-M16x168	329857	LVQ.A-100-14-AS-SST-M16x168	100	202	205	34	32.5	24	M16	168	14	12	16000	339	393
325861	LVQ.A-100-14-SST-M20x110	329861	LVQ.A-100-14-AS-SST-M20x110	100	149	152	39	36.5	24	M20	110	14	15	16000	343	397
325863	LVQ.A-100-14-SST-M20x150	329863	LVQ.A-100-14-AS-SST-M20x150	100	189	192	39	36.5	24	M20	150	14	15	16000	443	497
325865	LVQ.A-100-14-SST-M20x170	329865	LVQ.A-100-14-AS-SST-M20x170	100	209	212	39	36.5	24	M20	170	14	15	16000	493	547
325867	LVQ.A-100-14-SST-M20x210	329867	LVQ.A-100-14-AS-SST-M20x210	100	249	252	39	36.5	24	M20	210	14	15	16000	592	646
325871	LVQ.A-100-14-SST-M24x110	329871	LVQ.A-100-14-AS-SST-M24x110	100	149	152	39	36.5	24	M24	110	14	18	16000	450	504
325873	LVQ.A-100-14-SST-M24x170	329873	LVQ.A-100-14-AS-SST-M24x170	100	209	212	39	36.5	24	M24	170	14	18	16000	665	719
325875	LVQ.A-100-14-SST-M24x210	329875	LVQ.A-100-14-AS-SST-M24x210	100	249	252	39	36.5	24	M24	210	14	18	16000	809	863

\* The max static load is the value above which the load applied to the element may cause some plastic material breakage, in particular conditions of use.

Obviously, a factor that takes into consideration the importance and the safety level of the specific application must be applied to this value.

# Data with no-slip disk mounted.