

## Levelling elements



- **Base**  
Glass-fibre reinforced polyamide based (PA) technopolymer. Resistant to solvents, oils, greases and other chemical agents.
- **Colour**  
Black, matte finish.
- **Articulated stem**  
Threaded AISI 304 stainless steel with regulation square.
- **Standard executions**
  - **LSQ.A-SST**: without no-slip disk.
  - **LSQ.A-AS-SST**: with NBR rubber no-slip disk, hardness 70 Shore A, supplied assembled to the base.

The particular assembling system of the no-slip disk to the base assures a perfect anchoring, preventing separation even in case of impact while handling or adhesion (sticking) to the floor (see No-slip disks on catalogue 038, page 756).



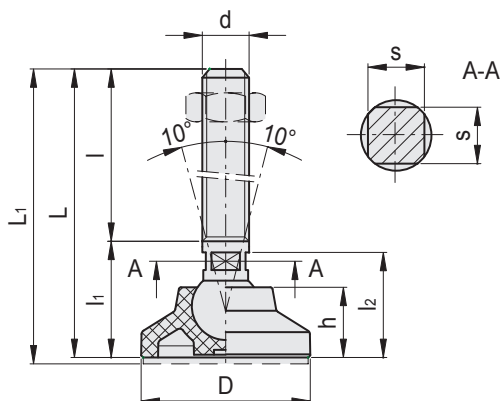
### Accessories on request

AISI 304 stainless steel nut (see Nuts NT on catalogue 038, page 756).

### Order information

The levelling elements are supplied unassembled to make carriage and storage easier. The components (base and stem) are supplied in separate packing: less volume taken and better protection from scratches and dirt.

To order bases and stems separately, see codes of the Bases and of the Stems on catalogue 038, page 757.



Standard Elements				Main dimensions						Threaded stem	Articulation	Wrench	Max limit static load*	△		
LSQ.A-SST		LSQ.A-AS-SST		D	L	L#	l1	l2	h	d	l	Ø	s	[N]	g	g#
Code	Description	Code	Description													
359991	LSQ.A-25-8.5-SST-M8x48	360491	LSQ.A-25-8.5-AS-SST-M8x48	25	68	71	20	18.5	12	M8	48	8.5	7	5000	24	26
359993	LSQ.A-25-8.5-SST-M8x73	360493	LSQ.A-25-8.5-AS-SST-M8x73	25	93	96	20	18.5	12	M8	73	8.5	7	5000	34	36
360001	LSQ.A-25-8.5-SST-M10x48	360501	LSQ.A-25-8.5-AS-SST-M10x48	25	68	71	20	18.5	12	M10	48	8.5	7	5000	31	33
360003	LSQ.A-25-8.5-SST-M10x73	360503	LSQ.A-25-8.5-AS-SST-M10x73	25	93	96	20	18.5	12	M10	73	8.5	7	5000	47	49
360005	LSQ.A-25-8.5-SST-M10x103	360505	LSQ.A-25-8.5-AS-SST-M10x103	25	123	126	20	18.5	12	M10	103	8.5	7	5000	65	67
360011	LSQ.A-25-8.5-SST-M12x48	360511	LSQ.A-25-8.5-AS-SST-M12x48	25	68	71	20	18.5	12	M12	48	8.5	9	5000	42	44
360013	LSQ.A-25-8.5-SST-M12x73	360513	LSQ.A-25-8.5-AS-SST-M12x73	25	93	96	20	18.5	12	M12	73	8.5	9	5000	64	66
360015	LSQ.A-25-8.5-SST-M12x103	360515	LSQ.A-25-8.5-AS-SST-M12x103	25	123	126	20	18.5	12	M12	103	8.5	9	5000	95	97
360031	LSQ.A-25-14-SST-M16x68	360531	LSQ.A-25-14-AS-SST-M16x68	25	92	95	24	22.5	12	M16	68	14	12	5000	100	102
360033	LSQ.A-25-14-SST-M16x108	360533	LSQ.A-25-14-AS-SST-M16x108	25	132	135	24	22.5	12	M16	108	14	12	5000	164	166
360035	LSQ.A-25-14-SST-M16x148	360535	LSQ.A-25-14-AS-SST-M16x148	25	172	175	24	22.5	12	M16	148	14	12	5000	228	230
360037	LSQ.A-25-14-SST-M16x168	360537	LSQ.A-25-14-AS-SST-M16x168	25	192	195	24	22.5	12	M16	168	14	12	5000	260	262

\* The max static load is the value above which the load applied to the element may cause some plastic material breakage, in particular conditions of use.

Obviously, a factor that takes into consideration the importance and the safety level of the specific application must be applied to this value.

# Data with no-slip disk assembled.

Standard Elements				Main dimensions					Threaded stem		Articulation	Wrench	Max limit static load*	⚖		
LSQ.A-SST		LSQ.A-AS-SST														
Code	Description	Code	Description	D	L	L1#	l1	l2	h	d	l	Ø	s	[N]	g	g#
360091	LSQ.A-32-8.5-SST-M8x48	360591	LSQ.A-32-8.5-AS-SST-M8x48	32	71	74	23	21.5	15	M8	48	8.5	7	6000	28	32
360093	LSQ.A-32-8.5-SST-M8x73	360593	LSQ.A-32-8.5-AS-SST-M8x73	32	96	99	23	21.5	15	M8	73	8.5	7	6000	38	42
360101	LSQ.A-32-8.5-SST-M10x48	360601	LSQ.A-32-8.5-AS-SST-M10x48	32	71	74	23	21.5	15	M10	48	8.5	7	6000	35	39
360103	LSQ.A-32-8.5-SST-M10x73	360603	LSQ.A-32-8.5-AS-SST-M10x73	32	96	99	23	21.5	15	M10	73	8.5	7	6000	51	55
360105	LSQ.A-32-8.5-SST-M10x103	360605	LSQ.A-32-8.5-AS-SST-M10x103	32	126	129	23	21.5	15	M10	103	8.5	7	6000	69	73
360111	LSQ.A-32-8.5-SST-M12x48	360611	LSQ.A-32-8.5-AS-SST-M12x48	32	71	74	23	21.5	15	M12	48	8.5	9	6000	46	50
360113	LSQ.A-32-8.5-SST-M12x73	360613	LSQ.A-32-8.5-AS-SST-M12x73	32	96	99	23	21.5	15	M12	73	8.5	9	6000	68	72
360115	LSQ.A-32-8.5-SST-M12x103	360615	LSQ.A-32-8.5-AS-SST-M12x103	32	126	129	23	21.5	15	M12	103	8.5	9	6000	99	103
360131	LSQ.A-32-14-SST-M16x68	360631	LSQ.A-32-14-AS-SST-M16x68	32	92	95	24	22.5	15	M16	68	14	12	7000	104	108
360133	LSQ.A-32-14-SST-M16x108	360633	LSQ.A-32-14-AS-SST-M16x108	32	132	135	24	22.5	15	M16	108	14	12	7000	168	172
360135	LSQ.A-32-14-SST-M16x148	360635	LSQ.A-32-14-AS-SST-M16x148	32	172	175	24	22.5	15	M16	148	14	12	7000	232	236
360137	LSQ.A-32-14-SST-M16x168	360637	LSQ.A-32-14-AS-SST-M16x168	32	192	195	24	22.5	15	M16	168	14	12	7000	264	268

Standard Elements				Main dimensions					Threaded stem		Articulation	Wrench	Max limit static load*	⚖		
LSQ.A-SST		LSQ.A-AS-SST														
Code	Description	Code	Description	D	L	L1#	l1	l2	h	d	l	Ø	s	[N]	g	g#
360191	LSQ.A-40-8.5-SST-M8x48	360691	LSQ.A-40-8.5-AS-SST-M8x48	40	73	76	25	23.5	17	M8	48	8.5	7	7000	33	40
360193	LSQ.A-40-8.5-SST-M8x73	360693	LSQ.A-40-8.5-AS-SST-M8x73	40	98	101	25	23.5	17	M8	73	8.5	7	7000	43	50
360201	LSQ.A-40-8.5-SST-M10x48	360701	LSQ.A-40-8.5-AS-SST-M10x48	40	73	76	25	23.5	17	M10	48	8.5	7	7000	40	47
360203	LSQ.A-40-8.5-SST-M10x73	360703	LSQ.A-40-8.5-AS-SST-M10x73	40	98	101	25	23.5	17	M10	73	8.5	7	7000	56	63
360205	LSQ.A-40-8.5-SST-M10x103	360705	LSQ.A-40-8.5-AS-SST-M10x103	40	128	131	25	23.5	17	M10	103	8.5	7	7000	74	81
360211	LSQ.A-40-8.5-SST-M12x48	360711	LSQ.A-40-8.5-AS-SST-M12x48	40	73	76	25	23.5	17	M12	48	8.5	9	7000	51	58
360213	LSQ.A-40-8.5-SST-M12x73	360713	LSQ.A-40-8.5-AS-SST-M12x73	40	98	101	25	23.5	17	M12	73	8.5	9	7000	73	80
360215	LSQ.A-40-8.5-SST-M12x103	360715	LSQ.A-40-8.5-AS-SST-M12x103	40	128	131	25	23.5	17	M12	103	8.5	9	7000	104	111
360231	LSQ.A-40-14-SST-M16x68	360731	LSQ.A-40-14-AS-SST-M16x68	40	93	96	25	23.5	17	M16	68	14	12	10000	109	116
360233	LSQ.A-40-14-SST-M16x108	360733	LSQ.A-40-14-AS-SST-M16x108	40	133	136	25	23.5	17	M16	108	14	12	10000	173	180
360235	LSQ.A-40-14-SST-M16x148	360735	LSQ.A-40-14-AS-SST-M16x148	40	173	176	25	23.5	17	M16	148	14	12	10000	237	244
360237	LSQ.A-40-14-SST-M16x168	360737	LSQ.A-40-14-AS-SST-M16x168	40	193	196	25	23.5	17	M16	168	14	12	10000	269	276

Standard Elements				Main dimensions					Threaded stem		Articulation	Wrench	Max limit static load*	⚖		
LSQ.A-SST		LSQ.A-AS-SST														
Code	Description	Code	Description	D	L	L1#	l1	l2	h	d	l	Ø	s	[N]	g	g#
360291	LSQ.A-50-8.5-SST-M8x48	360791	LSQ.A-50-8.5-AS-SST-M8x48	50	75	78	27	25.5	19	M8	48	8.5	7	7000	39	51
360293	LSQ.A-50-8.5-SST-M8x73	360793	LSQ.A-50-8.5-AS-SST-M8x73	50	100	103	27	25.5	19	M8	73	8.5	7	7000	49	61
360301	LSQ.A-50-8.5-SST-M10x48	360801	LSQ.A-50-8.5-AS-SST-M10x48	50	75	78	27	25.5	19	M10	48	8.5	7	7000	46	58
360303	LSQ.A-50-8.5-SST-M10x73	360803	LSQ.A-50-8.5-AS-SST-M10x73	50	100	103	27	25.5	19	M10	73	8.5	7	7000	62	74
360305	LSQ.A-50-8.5-SST-M10x103	360805	LSQ.A-50-8.5-AS-SST-M10x103	50	130	133	27	25.5	19	M10	103	8.5	7	7000	80	92
360311	LSQ.A-50-8.5-SST-M12x48	360811	LSQ.A-50-8.5-AS-SST-M12x48	50	75	78	27	25.5	19	M12	48	8.5	9	7000	57	69
360313	LSQ.A-50-8.5-SST-M12x73	360813	LSQ.A-50-8.5-AS-SST-M12x73	50	100	103	27	25.5	19	M12	73	8.5	9	7000	79	91
360315	LSQ.A-50-8.5-SST-M12x103	360815	LSQ.A-50-8.5-AS-SST-M12x103	50	130	133	27	25.5	19	M12	103	8.5	9	7000	110	122
360331	LSQ.A-50-14-SST-M16x68	360831	LSQ.A-50-14-AS-SST-M16x68	50	95	98	27	25.5	19	M16	68	14	12	10000	115	127
360333	LSQ.A-50-14-SST-M16x108	360833	LSQ.A-50-14-AS-SST-M16x108	50	135	138	27	25.5	19	M16	108	14	12	10000	179	191
360335	LSQ.A-50-14-SST-M16x148	360835	LSQ.A-50-14-AS-SST-M16x148	50	175	178	27	25.5	19	M16	148	14	12	10000	243	255
360337	LSQ.A-50-14-SST-M16x168	360837	LSQ.A-50-14-AS-SST-M16x168	50	195	198	27	25.5	19	M16	168	14	12	10000	275	287

\* The max static load is the value above which the load applied to the element may cause some plastic material breakage, in particular conditions of use.

Obviously, a factor that takes into consideration the importance and the safety level of the specific application must be applied to this value.

# Data with no-slip disk assembled.