

Levelling elements

RoHS

• Base

- AISI 303 stainless steel.
- Version **OS**: without plastic cap.
- Version **KS**: with natural white colour thermoplastic cap (Polyacetal POM), gliding.
- Version **KR**: with 73 Shore hardness thermoplastic rubber cap (Santoprene®), not-gliding.
- Version **KSE**: with natural white colour thermoplastic cap (Polyacetal POM), gliding, electrically conductive (antistatic).
- Version **KRE**: with 73 Shore hardness thermoplastic rubber cap (Santoprene®), not-gliding, electrically conductive (antistatic).

• Threaded stem

AISI 303 stainless steel, supplied assembled.

• Hexagon nut

AISI 304 stainless steel, ISO 4032, supplied assembled.

• Specification of KSE / KRE

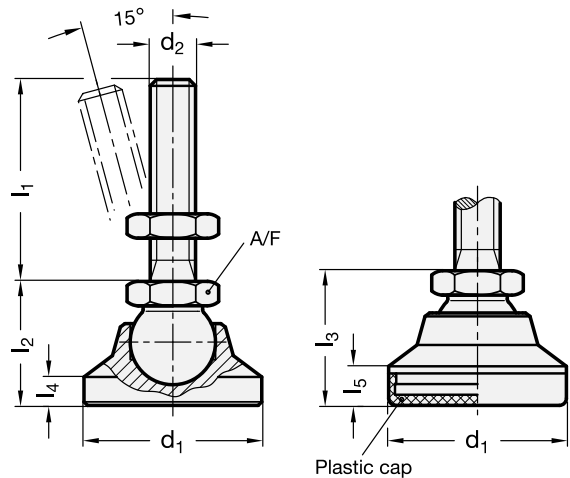
- Surface resistivity: <math>< 10^6 \Omega</math>
- Volume resistivity: <math>< 10^7 \Omega</math>
- DIN EN 61340-5-1 / 61340-2-3

Features and applications

The static load of the GN 343.6 levelling element is limited by the load capacity of the stem (tensile strength 500 N/mm²).

The static load values shown in the table below refer to a net vertical load in relation to the ball socket and refer only to type OS, KS and KSE. Under normal operating conditions side loading or angular loading is not uncommon and the load capacity would be considerably reduced.

For higher loads, GN 343.6 should be used in conjunction with screws of higher tensile strength. We suggest the use of DIN 915 threaded stud with pressure pad. This pressure pad must be seated squarely at the bottom of the threaded hole, which will increase the load capacity of the ball in the socket. Stainless steel, thanks to its high resistance to corrosion, allows the application of these levelling elements on machines and equipment in those sectors where laws or particular hygienic, climatic and environmental factors make it mandatory to use corrosion resistant materials.



Standard Elements Description	Main dimensions					Threaded stem		Wrench	Static load # in kN	⚖️ g
	d1	l2	l3	l4	l5	d2	l1	A/F		
GN 343.6-25-M8-40-KR	25	-	20.5	-	5.5	M8	40	12	10	45
GN 343.6-25-M8-50-KR	25	-	20.5	-	5.5	M8	50	12	10	50
GN 343.6-25-M8-63-KR	25	-	20.5	-	5.5	M8	63	12	10	61
GN 343.6-32-M8-40-KR	32	-	24.5	-	6.5	M8	40	12	10	52
GN 343.6-32-M8-50-KR	32	-	24.5	-	6.5	M8	50	12	10	57
GN 343.6-32-M8-63-KR	32	-	24.5	-	6.5	M8	63	12	10	67
GN 343.6-32-M10-50-KR	32	-	24.5	-	6.5	M10	50	15	20	107
GN 343.6-32-M10-63-KR	32	-	24.5	-	6.5	M10	63	15	20	112
GN 343.6-32-M10-80-KR	32	-	24.5	-	6.5	M10	80	15	20	122
GN 343.6-40-M10-50-KR	40	-	27.5	-	7.5	M10	50	15	20	157
GN 343.6-40-M10-63-KR	40	-	27.5	-	7.5	M10	63	15	20	165
GN 343.6-40-M10-80-KR	40	-	27.5	-	7.5	M10	80	15	20	172
GN 343.6-40-M12-63-KR	40	-	27.5	-	7.5	M12	63	17	30	178
GN 343.6-40-M12-80-KR	40	-	27.5	-	7.5	M12	80	17	30	190
GN 343.6-40-M12-100-KR	40	-	27.5	-	7.5	M12	100	17	30	202
GN 343.6-50-M10-50-KR	50	-	29.5	-	8.5	M10	50	15	20	207
GN 343.6-50-M10-63-KR	50	-	29.5	-	8.5	M10	63	15	20	215
GN 343.6-50-M10-80-KR	50	-	29.5	-	8.5	M10	80	15	20	222
GN 343.6-50-M12-63-KR	50	-	29.5	-	8.5	M12	63	17	30	243
GN 343.6-50-M12-80-KR	50	-	29.5	-	8.5	M12	80	17	30	255
GN 343.6-50-M12-100-KR	50	-	29.5	-	8.5	M12	100	17	30	270
GN 343.6-60-M12-63-KR	60	-	37.5	-	10	M12	63	17	30	415
GN 343.6-60-M12-80-KR	60	-	37.5	-	10	M12	80	17	30	450
GN 343.6-60-M12-100-KR	60	-	37.5	-	10	M12	100	17	30	474
GN 343.6-60-M16-80-KR	60	-	37.5	-	10	M16	80	24	30	465
GN 343.6-60-M16-100-KR	60	-	37.5	-	10	M16	100	24	30	500
GN 343.6-60-M16-125-KR	60	-	37.5	-	10	M16	125	24	30	524
GN 343.6-60-M20-98-KR	60	-	37.5	-	10	M20	98	24	30	550
GN 343.6-60-M20-138-KR	60	-	37.5	-	10	M20	138	24	30	580
GN 343.6-60-M20-158-KR	60	-	37.5	-	10	M20	158	24	30	610
GN 343.6-60-M24-98-KR	60	-	37.5	-	10	M24	98	24	30	610
GN 343.6-60-M24-138-KR	60	-	37.5	-	10	M24	138	24	30	630
GN 343.6-60-M24-158-KR	60	-	37.5	-	10	M24	158	24	30	650

Standard Elements	Main dimensions					Threaded stem		Wrench	Static load #	\triangle
Description	d1	l2	l3	l4	l5	d2	l1	A/F	in kN	g
GN 343.6-25-M8-40-KS	25	-	20.5	-	5.5	M8	40	12	7	50
GN 343.6-25-M8-50-KS	25	-	20.5	-	5.5	M8	50	12	7	55
GN 343.6-25-M8-63-KS	25	-	20.5	-	5.5	M8	63	12	7	65
GN 343.6-32-M8-40-KS	32	-	24.5	-	6.5	M8	40	12	7	52
GN 343.6-32-M8-50-KS	32	-	24.5	-	6.5	M8	50	12	7	57
GN 343.6-32-M8-63-KS	32	-	24.5	-	6.5	M8	63	12	7	67
GN 343.6-32-M10-50-KS	32	-	24.5	-	6.5	M10	50	15	11	107
GN 343.6-32-M10-63-KS	32	-	24.5	-	6.5	M10	63	15	11	172
GN 343.6-32-M10-80-KS	32	-	24.5	-	6.5	M10	80	15	11	120
GN 343.6-40-M10-50-KS	40	-	27.5	-	7.5	M10	50	15	11	157
GN 343.6-40-M10-63-KS	40	-	27.5	-	7.5	M10	63	15	11	165
GN 343.6-40-M10-80-KS	40	-	27.5	-	7.5	M10	80	15	11	172
GN 343.6-40-M12-63-KS	40	-	27.5	-	7.5	M12	63	17	16	175
GN 343.6-40-M12-80-KS	40	-	27.5	-	7.5	M12	80	17	16	190
GN 343.6-40-M12-100-KS	40	-	27.5	-	7.5	M12	100	17	16	204
GN 343.6-50-M10-50-KS	50	-	29.5	-	8.5	M10	50	15	11	207
GN 343.6-50-M10-63-KS	50	-	29.5	-	8.5	M10	63	15	11	215
GN 343.6-50-M10-80-KS	50	-	29.5	-	8.5	M10	80	15	11	222
GN 343.6-50-M12-63-KS	50	-	29.5	-	8.5	M12	63	17	16	250
GN 343.6-50-M12-80-KS	50	-	29.5	-	8.5	M12	80	17	16	260
GN 343.6-50-M12-100-KS	50	-	29.5	-	8.5	M12	100	17	16	275
GN 343.6-60-M12-63-KS	60	-	37.5	-	10	M12	63	17	16	440
GN 343.6-60-M12-80-KS	60	-	37.5	-	10	M12	80	17	16	465
GN 343.6-60-M12-100-KS	60	-	37.5	-	10	M12	100	17	16	500
GN 343.6-60-M16-80-KS	60	-	37.5	-	10	M16	80	24	30	490
GN 343.6-60-M16-100-KS	60	-	37.5	-	10	M16	100	24	30	515
GN 343.6-60-M16-125-KS	60	-	37.5	-	10	M16	125	24	30	545
GN 343.6-60-M20-98-KS	60	-	37.5	-	10	M20	98	24	45	550
GN 343.6-60-M20-138-KS	60	-	37.5	-	10	M20	138	24	45	580
GN 343.6-60-M20-158-KS	60	-	37.5	-	10	M20	158	24	45	610
GN 343.6-60-M24-98-KS	60	-	37.5	-	10	M24	98	24	45	610
GN 343.6-60-M24-138-KS	60	-	37.5	-	10	M24	138	24	45	630
GN 343.6-60-M24-158-KS	60	-	37.5	-	10	M24	158	24	45	650
GN 343.6-25-M8-40-OS	25	19	-	4	-	M8	40	12	7	50
GN 343.6-25-M8-50-OS	25	19	-	4	-	M8	50	12	7	55
GN 343.6-25-M8-63-OS	25	19	-	4	-	M8	63	12	7	65
GN 343.6-32-M8-40-OS	32	23	-	5	-	M8	40	12	7	52
GN 343.6-32-M8-50-OS	32	23	-	5	-	M8	50	12	7	57
GN 343.6-32-M8-63-OS	32	23	-	5	-	M8	63	12	7	67
GN 343.6-32-M10-50-OS	32	23	-	5	-	M10	50	15	11	107
GN 343.6-32-M10-63-OS	32	23	-	5	-	M10	63	15	11	172
GN 343.6-32-M10-80-OS	32	23	-	5	-	M10	80	15	11	120
GN 343.6-40-M10-50-OS	40	26	-	6	-	M10	50	15	11	157
GN 343.6-40-M10-63-OS	40	26	-	6	-	M10	63	15	11	165
GN 343.6-40-M10-80-OS	40	26	-	6	-	M10	80	15	11	172
GN 343.6-40-M12-63-OS	40	26	-	6	-	M12	63	17	16	175
GN 343.6-40-M12-80-OS	40	26	-	6	-	M12	80	17	16	190
GN 343.6-40-M12-100-OS	40	26	-	6	-	M12	100	17	16	204
GN 343.6-50-M10-50-OS	50	28	-	7	-	M10	50	15	11	207
GN 343.6-50-M10-63-OS	50	28	-	7	-	M10	63	15	11	215
GN 343.6-50-M10-80-OS	50	28	-	7	-	M10	80	15	11	222
GN 343.6-50-M12-63-OS	50	28	-	7	-	M12	63	17	16	250
GN 343.6-50-M12-80-OS	50	28	-	7	-	M12	80	17	16	260
GN 343.6-50-M12-100-OS	50	28	-	7	-	M12	100	17	16	275
GN 343.6-60-M12-63-OS	60	36	-	8.5	-	M12	63	17	16	440
GN 343.6-60-M12-80-OS	60	36	-	8.5	-	M12	80	17	16	465
GN 343.6-60-M12-100-OS	60	36	-	8.5	-	M12	100	17	16	500
GN 343.6-60-M16-80-OS	60	36	-	8.5	-	M16	80	24	30	490
GN 343.6-60-M16-100-OS	60	36	-	8.5	-	M16	100	24	30	515
GN 343.6-60-M16-125-OS	60	36	-	8.5	-	M16	125	24	30	545
GN 343.6-60-M20-98-OS	60	36	-	8.5	-	M20	98	24	45	550
GN 343.6-60-M20-138-OS	60	36	-	8.5	-	M20	138	24	45	580
GN 343.6-60-M20-158-OS	60	36	-	8.5	-	M20	158	24	45	610
GN 343.6-60-M24-98-OS	60	36	-	8.5	-	M24	98	24	45	610
GN 343.6-60-M24-138-OS	60	36	-	8.5	-	M24	138	24	45	630
GN 343.6-60-M24-158-OS	60	36	-	8.5	-	M24	158	24	45	650

Static load stand for the value over which the applied load to the element, in certain use conditions, may cause plastic material deformation.

Standard Elements	Main dimensions					Threaded stem		Wrench	Static load # in N	△ g
	Description	d1	l2	l3	l4	l5	d2	l1		
GN 343.6-25-M8-40-KRE	25	-	20.5	-	5.5	M8	40	12	10	45
GN 343.6-25-M8-50-KRE	25	-	20.5	-	5.5	M8	50	12	10	50
GN 343.6-25-M8-63-KRE	25	-	20.5	-	5.5	M8	63	12	10	61
GN 343.6-32-M8-40-KRE	32	-	24.5	-	6.5	M8	40	12	10	52
GN 343.6-32-M8-50-KRE	32	-	24.5	-	6.5	M8	50	12	10	57
GN 343.6-32-M8-63-KRE	32	-	24.5	-	6.5	M8	63	12	10	67
GN 343.6-32-M10-50-KRE	32	-	24.5	-	6.5	M10	50	15	20	107
GN 343.6-32-M10-63-KRE	32	-	24.5	-	6.5	M10	63	15	20	112
GN 343.6-32-M10-80-KRE	32	-	24.5	-	6.5	M10	80	15	20	122
GN 343.6-40-M10-50-KRE	40	-	27.5	-	7.5	M10	50	15	20	157
GN 343.6-40-M10-63-KRE	40	-	27.5	-	7.5	M10	63	15	20	165
GN 343.6-40-M10-80-KRE	40	-	27.5	-	7.5	M10	80	15	20	172
GN 343.6-40-M12-63-KRE	40	-	27.5	-	7.5	M12	63	17	30	178
GN 343.6-40-M12-80-KRE	40	-	27.5	-	7.5	M12	80	17	30	190
GN 343.6-40-M12-100-KRE	40	-	27.5	-	7.5	M12	100	17	30	202
GN 343.6-50-M10-50-KRE	50	-	29.5	-	8.5	M10	50	15	20	207
GN 343.6-50-M10-63-KRE	50	-	29.5	-	8.5	M10	63	15	20	215
GN 343.6-50-M10-80-KRE	50	-	29.5	-	8.5	M10	80	15	20	222
GN 343.6-50-M12-63-KRE	50	-	29.5	-	8.5	M12	63	17	30	243
GN 343.6-50-M12-80-KRE	50	-	29.5	-	8.5	M12	80	17	30	255
GN 343.6-50-M12-100-KRE	50	-	29.5	-	8.5	M12	100	17	30	270
GN 343.6-60-M12-63-KRE	60	-	37.5	-	10	M12	63	17	30	415
GN 343.6-60-M12-80-KRE	60	-	37.5	-	10	M12	80	17	30	450
GN 343.6-60-M12-100-KRE	60	-	37.5	-	10	M12	100	17	30	474
GN 343.6-60-M16-80-KRE	60	-	37.5	-	10	M16	80	24	30	465
GN 343.6-60-M16-100-KRE	60	-	37.5	-	10	M16	100	24	30	500
GN 343.6-60-M16-125-KRE	60	-	37.5	-	10	M16	125	24	30	524
GN 343.6-60-M20-98-KRE	60	-	37.5	-	10	M20	98	24	30	550
GN 343.6-60-M20-138-KRE	60	-	37.5	-	10	M20	138	24	30	580
GN 343.6-60-M20-158-KRE	60	-	37.5	-	10	M20	158	24	30	610
GN 343.6-60-M24-98-KRE	60	-	37.5	-	10	M24	98	24	30	610
GN 343.6-60-M24-138-KRE	60	-	37.5	-	10	M24	138	24	30	630
GN 343.6-60-M24-158-KRE	60	-	37.5	-	10	M24	158	24	30	650
GN 343.6-25-M8-40-KSE	25	-	20.5	-	5.5	M8	40	12	7	50
GN 343.6-25-M8-50-KSE	25	-	20.5	-	5.5	M8	50	12	7	55
GN 343.6-25-M8-63-KSE	25	-	20.5	-	5.5	M8	63	12	7	65
GN 343.6-32-M8-40-KSE	32	-	24.5	-	6.5	M8	40	12	7	52
GN 343.6-32-M8-50-KSE	32	-	24.5	-	6.5	M8	50	12	7	57
GN 343.6-32-M8-63-KSE	32	-	24.5	-	6.5	M8	63	12	7	67
GN 343.6-32-M10-50-KSE	32	-	24.5	-	6.5	M10	50	15	11	107
GN 343.6-32-M10-63-KSE	32	-	24.5	-	6.5	M10	63	15	11	172
GN 343.6-32-M10-80-KSE	32	-	24.5	-	6.5	M10	80	15	11	120
GN 343.6-40-M10-50-KSE	40	-	27.5	-	7.5	M10	50	15	11	157
GN 343.6-40-M10-63-KSE	40	-	27.5	-	7.5	M10	63	15	11	165
GN 343.6-40-M10-80-KSE	40	-	27.5	-	7.5	M10	80	15	11	172
GN 343.6-40-M12-63-KSE	40	-	27.5	-	7.5	M12	63	17	16	175
GN 343.6-40-M12-80-KSE	40	-	27.5	-	7.5	M12	80	17	16	190
GN 343.6-40-M12-100-KSE	40	-	27.5	-	7.5	M12	100	17	16	204
GN 343.6-50-M10-50-KSE	50	-	29.5	-	8.5	M10	50	15	11	207
GN 343.6-50-M10-63-KSE	50	-	29.5	-	8.5	M10	63	15	11	215
GN 343.6-50-M10-80-KSE	50	-	29.5	-	8.5	M10	80	15	11	222
GN 343.6-50-M12-63-KSE	50	-	29.5	-	8.5	M12	63	17	16	250
GN 343.6-50-M12-80-KSE	50	-	29.5	-	8.5	M12	80	17	16	260
GN 343.6-50-M12-100-KSE	50	-	29.5	-	8.5	M12	100	17	16	275
GN 343.6-60-M12-63-KSE	60	-	37.5	-	10	M12	63	17	16	440
GN 343.6-60-M12-80-KSE	60	-	37.5	-	10	M12	80	17	16	465
GN 343.6-60-M12-100-KSE	60	-	37.5	-	10	M12	100	17	16	500
GN 343.6-60-M16-80-KSE	60	-	37.5	-	10	M16	80	24	30	490
GN 343.6-60-M16-100-KSE	60	-	37.5	-	10	M16	100	24	30	515
GN 343.6-60-M16-125-KSE	60	-	37.5	-	10	M16	125	24	30	545
GN 343.6-60-M20-98-KSE	60	-	37.5	-	10	M20	98	24	45	550
GN 343.6-60-M20-138-KSE	60	-	37.5	-	10	M20	138	24	45	580
GN 343.6-60-M20-158-KSE	60	-	37.5	-	10	M20	158	24	45	610
GN 343.6-60-M24-98-KSE	60	-	37.5	-	10	M24	98	24	45	610
GN 343.6-60-M24-138-KSE	60	-	37.5	-	10	M24	138	24	45	630
GN 343.6-60-M24-158-KSE	60	-	37.5	-	10	M24	158	24	45	650

Static load stand for the value over which the applied load to the element, in certain use conditions, may cause plastic material deformation.