



## Levelling elements



### • Base

- Zinc-plated steel, class 5.8 (tensile strength 500 N/mm<sup>2</sup>), blue passivated.
- Version **OS**: without plastic cap.
- Version **KS**: with natural white colour thermoplastic cap (Polyacetal POM), gliding.
- Version **KR**: with 73 Shore hardness thermoplastic rubber cap (Santoprene®), not-gliding.
- Version **KSE**: with natural white colour thermoplastic cap (Polyacetal POM), gliding, electrically conductive (antistatic).
- Version **KRE**: with 73 Shore hardness thermoplastic rubber cap (Santoprene®), not-gliding, electrically conductive (antistatic).

### • Threaded stem

Zinc-plated steel, blue passivated, supplied assembled.

### • Hexagon nut

Zinc-plated steel, blue passivated, ISO 4032, supplied assembled.

### • Specification of KSE / KRE

Surface resistivity: < 10<sup>6</sup> Ω

Volume resistivity: < 10<sup>7</sup> Ω

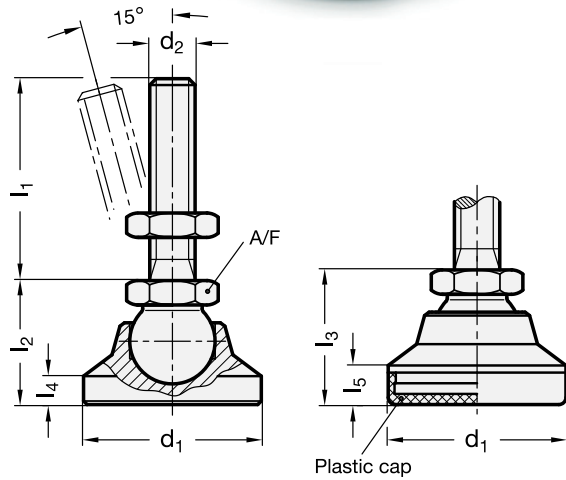
DIN EN 61340-5-1 / 61340-2-3

### Features and applications

The static load of the GN 343.2 levelling element is limited by the load capacity of the stem (tensile strength 500 N/mm<sup>2</sup>).

The static load values shown in the table below refer to a net vertical load in relation to the ball socket and refer only to type OS, KS and KSE. Under normal operating conditions side loading or angular loading is not uncommon and the load capacity would be considerably reduced.

For higher loads, GN 343.2 should be used in conjunction with screws of higher tensile strength. We suggest the use of DIN 915 threaded stud with pressure pad. This pressure pad must be seated squarely at the bottom of the threaded hole, which will increase the load capacity of the ball in the socket.



Standard Elements Description	Main dimensions					Threaded stem		Wrench	Static load # in kN	△△ g
	d <sub>1</sub>	l <sub>2</sub>	l <sub>3</sub>	l <sub>4</sub>	l <sub>5</sub>	d <sub>2</sub>	l <sub>1</sub>	A/F		
GN 343.2-25-M8-40-KR	25	-	20.5	-	5.5	M8	40	12	10	45
GN 343.2-25-M8-50-KR	25	-	20.5	-	5.5	M8	50	12	10	50
GN 343.2-25-M8-63-KR	25	-	20.5	-	5.5	M8	63	12	10	60
GN 343.2-32-M8-40-KR	32	-	24.5	-	6.5	M8	40	12	10	52
GN 343.2-32-M8-50-KR	32	-	24.5	-	6.5	M8	50	12	10	57
GN 343.2-32-M8-63-KR	32	-	24.5	-	6.5	M8	63	12	10	67
GN 343.2-32-M10-50-KR	32	-	24.5	-	6.5	M10	50	15	20	106
GN 343.2-32-M10-63-KR	32	-	24.5	-	6.5	M10	63	15	20	112
GN 343.2-32-M10-80-KR	32	-	24.5	-	6.5	M10	80	15	20	120
GN 343.2-40-M10-50-KR	40	-	27.5	-	7.5	M10	50	15	20	157
GN 343.2-40-M10-63-KR	40	-	27.5	-	7.5	M10	63	15	20	165
GN 343.2-40-M10-80-KR	40	-	27.5	-	7.5	M10	80	15	20	172
GN 343.2-40-M12-63-KR	40	-	27.5	-	7.5	M12	63	17	30	178
GN 343.2-40-M12-80-KR	40	-	27.5	-	7.5	M12	80	17	30	190
GN 343.2-40-M12-100-KR	40	-	27.5	-	7.5	M12	100	17	30	205
GN 343.2-50-M10-50-KR	50	-	29.5	-	8.5	M10	50	15	20	207
GN 343.2-50-M10-63-KR	50	-	29.5	-	8.5	M10	63	15	20	215
GN 343.2-50-M10-80-KR	50	-	29.5	-	8.5	M10	80	15	20	222
GN 343.2-50-M12-63-KR	50	-	29.5	-	8.5	M12	63	17	30	243
GN 343.2-50-M12-80-KR	50	-	29.5	-	8.5	M12	80	17	30	255
GN 343.2-50-M12-100-KR	50	-	29.5	-	8.5	M12	100	17	30	270
GN 343.2-60-M12-63-KR	60	-	37.5	-	10	M12	63	17	30	440
GN 343.2-60-M12-80-KR	60	-	37.5	-	10	M12	80	17	30	465
GN 343.2-60-M12-100-KR	60	-	37.5	-	10	M12	100	17	30	500
GN 343.2-60-M16-80-KR	60	-	37.5	-	10	M16	80	24	30	490
GN 343.2-60-M16-100-KR	60	-	37.5	-	10	M16	100	24	30	515
GN 343.2-60-M16-125-KR	60	-	37.5	-	10	M16	125	24	30	550
GN 343.2-60-M20-98-KR	60	-	37.5	-	10	M20	98	24	30	550
GN 343.2-60-M20-138-KR	60	-	37.5	-	10	M20	138	24	30	580
GN 343.2-60-M20-158-KR	60	-	37.5	-	10	M20	158	24	30	610
GN 343.2-60-M24-98-KR	60	-	37.5	-	10	M24	98	24	30	610
GN 343.2-60-M24-138-KR	60	-	37.5	-	10	M24	138	24	30	630
GN 343.2-60-M24-158-KR	60	-	37.5	-	10	M24	158	24	30	650

Standard Elements	Main dimensions					Threaded stem		Wrench	Static load # in kN	⚖ g
	Description	d <sub>1</sub>	l <sub>2</sub>	l <sub>3</sub>	l <sub>4</sub>	l <sub>5</sub>	d <sub>2</sub>	l <sub>1</sub>		
GN 343.2-25-M8-40-KS	25	-	20.5	-	5.5	M8	40	12	14	50
GN 343.2-25-M8-50-KS	25	-	20.5	-	5.5	M8	50	12	14	55
GN 343.2-25-M8-63-KS	25	-	20.5	-	5.5	M8	63	12	14	65
GN 343.2-32-M8-40-KS	32	-	24.5	-	6.5	M8	40	12	14	52
GN 343.2-32-M8-50-KS	32	-	24.5	-	6.5	M8	50	12	14	57
GN 343.2-32-M8-63-KS	32	-	24.5	-	6.5	M8	63	12	14	67
GN 343.2-32-M10-50-KS	32	-	24.5	-	6.5	M10	50	15	23	106
GN 343.2-32-M10-63-KS	32	-	24.5	-	6.5	M10	63	15	23	112
GN 343.2-32-M10-80-KS	32	-	24.5	-	6.5	M10	80	15	23	120
GN 343.2-40-M10-50-KS	40	-	27.5	-	7.5	M10	50	15	23	157
GN 343.2-40-M10-63-KS	40	-	27.5	-	7.5	M10	63	15	23	165
GN 343.2-40-M10-80-KS	40	-	27.5	-	7.5	M10	80	15	23	172
GN 343.2-40-M12-63-KS	40	-	27.5	-	7.5	M12	63	17	33	180
GN 343.2-40-M12-80-KS	40	-	27.5	-	7.5	M12	80	17	33	190
GN 343.2-40-M12-100-KS	40	-	27.5	-	7.5	M12	100	17	33	205
GN 343.2-50-M10-50-KS	50	-	29.5	-	8.5	M10	50	15	23	207
GN 343.2-50-M10-63-KS	50	-	29.5	-	8.5	M10	63	15	23	215
GN 343.2-50-M10-80-KS	50	-	29.5	-	8.5	M10	80	15	23	222
GN 343.2-50-M12-63-KS	50	-	29.5	-	8.5	M12	63	17	33	245
GN 343.2-50-M12-80-KS	50	-	29.5	-	8.5	M12	80	17	33	260
GN 343.2-50-M12-100-KS	50	-	29.5	-	8.5	M12	100	17	33	275
GN 343.2-60-M12-63-KS	60	-	37.5	-	10	M12	63	17	33	440
GN 343.2-60-M12-80-KS	60	-	37.5	-	10	M12	80	17	33	465
GN 343.2-60-M12-100-KS	60	-	37.5	-	10	M12	100	17	33	500
GN 343.2-60-M16-80-KS	60	-	37.5	-	10	M16	80	24	62	490
GN 343.2-60-M16-100-KS	60	-	37.5	-	10	M16	100	24	62	515
GN 343.2-60-M16-125-KS	60	-	37.5	-	10	M16	125	24	62	550
GN 343.2-60-M20-98-KS	60	-	37.5	-	10	M20	98	24	95	550
GN 343.2-60-M20-138-KS	60	-	37.5	-	10	M20	138	24	95	580
GN 343.2-60-M20-158-KS	60	-	37.5	-	10	M20	158	24	95	610
GN 343.2-60-M24-98-KS	60	-	37.5	-	10	M24	98	24	95	610
GN 343.2-60-M24-138-KS	60	-	37.5	-	10	M24	138	24	95	630
GN 343.2-60-M24-158-KS	60	-	37.5	-	10	M24	158	24	95	650
GN 343.2-25-M8-40-OS	25	19	-	4	-	M8	40	12	14	50
GN 343.2-25-M8-50-OS	25	19	-	4	-	M8	50	12	14	55
GN 343.2-25-M8-63-OS	25	19	-	4	-	M8	63	12	14	65
GN 343.2-32-M8-40-OS	32	23	-	5	-	M8	40	12	14	52
GN 343.2-32-M8-50-OS	32	23	-	5	-	M8	50	12	14	57
GN 343.2-32-M8-63-OS	32	23	-	5	-	M8	63	12	14	67
GN 343.2-32-M10-50-OS	32	23	-	5	-	M10	50	15	23	110
GN 343.2-32-M10-63-OS	32	23	-	5	-	M10	63	15	23	116
GN 343.2-32-M10-80-OS	32	23	-	5	-	M10	80	15	23	125
GN 343.2-40-M10-50-OS	40	26	-	6	-	M10	50	15	23	157
GN 343.2-40-M10-63-OS	40	26	-	6	-	M10	63	15	23	165
GN 343.2-40-M10-80-OS	40	26	-	6	-	M10	80	15	23	172
GN 343.2-40-M12-63-OS	40	26	-	6	-	M12	63	17	33	180
GN 343.2-40-M12-80-OS	40	26	-	6	-	M12	80	17	33	190
GN 343.2-40-M12-100-OS	40	26	-	6	-	M12	100	17	33	205
GN 343.2-50-M10-50-OS	50	28	-	7	-	M10	50	15	23	207
GN 343.2-50-M10-63-OS	50	28	-	7	-	M10	63	15	23	215
GN 343.2-50-M10-80-OS	50	28	-	7	-	M10	80	15	23	222
GN 343.2-50-M12-63-OS	50	28	-	7	-	M12	63	17	33	250
GN 343.2-50-M12-80-OS	50	28	-	7	-	M12	80	17	33	260
GN 343.2-50-M12-100-OS	50	28	-	7	-	M12	100	17	33	275
GN 343.2-60-M12-63-OS	60	36	-	8.5	-	M12	63	17	33	440
GN 343.2-60-M12-80-OS	60	36	-	8.5	-	M12	80	17	33	465
GN 343.2-60-M12-100-OS	60	36	-	8.5	-	M12	100	17	33	500
GN 343.2-60-M16-80-OS	60	36	-	8.5	-	M16	80	24	62	495
GN 343.2-60-M16-100-OS	60	36	-	8.5	-	M16	100	24	62	520
GN 343.2-60-M16-125-OS	60	36	-	8.5	-	M16	125	24	62	545
GN 343.2-60-M20-98-OS	60	36	-	8.5	-	M20	98	24	95	550
GN 343.2-60-M20-138-OS	60	36	-	8.5	-	M20	138	24	95	580
GN 343.2-60-M20-158-OS	60	36	-	8.5	-	M20	158	24	95	610
GN 343.2-60-M24-98-OS	60	36	-	8.5	-	M24	98	24	95	610
GN 343.2-60-M24-138-OS	60	36	-	8.5	-	M24	138	24	95	630
GN 343.2-60-M24-158-OS	60	36	-	8.5	-	M24	158	24	95	650

# Static load stand for the value over which the applied load to the element, in certain use conditions, may cause plastic material deformation.

Standard Elements	Main dimensions					Threaded stem		Wrench	Static load #	$\Delta$
Description	d1	l2	l3	l4	l5	d2	l1	A/F	in kN	g
GN 343.2-25-M8-40-KRE	25	-	20.5	-	5.5	M8	40	12	10	45
GN 343.2-25-M8-50-KRE	25	-	20.5	-	5.5	M8	50	12	10	50
GN 343.2-25-M8-63-KRE	25	-	20.5	-	5.5	M8	63	12	10	60
GN 343.2-32-M8-40-KRE	32	-	24.5	-	6.5	M8	40	12	10	52
GN 343.2-32-M8-50-KRE	32	-	24.5	-	6.5	M8	50	12	10	57
GN 343.2-32-M8-63-KRE	32	-	24.5	-	6.5	M8	63	12	10	67
GN 343.2-32-M10-50-KRE	32	-	24.5	-	6.5	M10	50	15	20	106
GN 343.2-32-M10-63-KRE	32	-	24.5	-	6.5	M10	63	15	20	112
GN 343.2-32-M10-80-KRE	32	-	24.5	-	6.5	M10	80	15	20	120
GN 343.2-40-M10-50-KRE	40	-	27.5	-	7.5	M10	50	15	20	157
GN 343.2-40-M10-63-KRE	40	-	27.5	-	7.5	M10	63	15	20	165
GN 343.2-40-M10-80-KRE	40	-	27.5	-	7.5	M10	80	15	20	172
GN 343.2-40-M12-63-KRE	40	-	27.5	-	7.5	M12	63	17	30	178
GN 343.2-40-M12-80-KRE	40	-	27.5	-	7.5	M12	80	17	30	190
GN 343.2-40-M12-100-KRE	40	-	27.5	-	7.5	M12	100	17	30	205
GN 343.2-50-M10-50-KRE	50	-	29.5	-	8.5	M10	50	15	20	207
GN 343.2-50-M10-63-KRE	50	-	29.5	-	8.5	M10	63	15	20	215
GN 343.2-50-M10-80-KRE	50	-	29.5	-	8.5	M10	80	15	20	222
GN 343.2-50-M12-63-KRE	50	-	29.5	-	8.5	M12	63	17	30	243
GN 343.2-50-M12-80-KRE	50	-	29.5	-	8.5	M12	80	17	30	255
GN 343.2-50-M12-100-KRE	50	-	29.5	-	8.5	M12	100	17	30	270
GN 343.2-60-M12-63-KRE	60	-	37.5	-	10	M12	63	17	30	440
GN 343.2-60-M12-80-KRE	60	-	37.5	-	10	M12	80	17	30	465
GN 343.2-60-M12-100-KRE	60	-	37.5	-	10	M12	100	17	30	500
GN 343.2-60-M16-80-KRE	60	-	37.5	-	10	M16	80	24	30	490
GN 343.2-60-M16-100-KRE	60	-	37.5	-	10	M16	100	24	30	515
GN 343.2-60-M16-125-KRE	60	-	37.5	-	10	M16	125	24	30	550
GN 343.2-60-M20-98-KRE	60	-	37.5	-	10	M20	98	24	30	550
GN 343.2-60-M20-138-KRE	60	-	37.5	-	10	M20	138	24	30	580
GN 343.2-60-M20-158-KRE	60	-	37.5	-	10	M20	158	24	30	610
GN 343.2-60-M24-98-KRE	60	-	37.5	-	10	M24	98	24	30	610
GN 343.2-60-M24-138-KRE	60	-	37.5	-	10	M24	138	24	30	630
GN 343.2-60-M24-158-KRE	60	-	37.5	-	10	M24	158	24	30	650
GN 343.2-25-M8-40-KSE	25	-	20.5	-	5.5	M8	40	12	14	50
GN 343.2-25-M8-50-KSE	25	-	20.5	-	5.5	M8	50	12	14	55
GN 343.2-25-M8-63-KSE	25	-	20.5	-	5.5	M8	63	12	14	65
GN 343.2-32-M8-40-KSE	32	-	24.5	-	6.5	M8	40	12	14	52
GN 343.2-32-M8-50-KSE	32	-	24.5	-	6.5	M8	50	12	14	57
GN 343.2-32-M8-63-KSE	32	-	24.5	-	6.5	M8	63	12	14	67
GN 343.2-32-M10-50-KSE	32	-	24.5	-	6.5	M10	50	15	23	106
GN 343.2-32-M10-63-KSE	32	-	24.5	-	6.5	M10	63	15	23	112
GN 343.2-32-M10-80-KSE	32	-	24.5	-	6.5	M10	80	15	23	120
GN 343.2-40-M10-50-KSE	40	-	27.5	-	7.5	M10	50	15	23	157
GN 343.2-40-M10-63-KSE	40	-	27.5	-	7.5	M10	63	15	23	165
GN 343.2-40-M10-80-KSE	40	-	27.5	-	7.5	M10	80	15	23	172
GN 343.2-40-M12-63-KSE	40	-	27.5	-	7.5	M12	63	17	33	180
GN 343.2-40-M12-80-KSE	40	-	27.5	-	7.5	M12	80	17	33	190
GN 343.2-40-M12-100-KSE	40	-	27.5	-	7.5	M12	100	17	33	205
GN 343.2-50-M10-50-KSE	50	-	29.5	-	8.5	M10	50	15	23	207
GN 343.2-50-M10-63-KSE	50	-	29.5	-	8.5	M10	63	15	23	215
GN 343.2-50-M10-80-KSE	50	-	29.5	-	8.5	M10	80	15	23	222
GN 343.2-50-M12-63-KSE	50	-	29.5	-	8.5	M12	63	17	33	245
GN 343.2-50-M12-80-KSE	50	-	29.5	-	8.5	M12	80	17	33	260
GN 343.2-50-M12-100-KSE	50	-	29.5	-	8.5	M12	100	17	33	275
GN 343.2-60-M12-63-KSE	60	-	37.5	-	10	M12	63	17	33	440
GN 343.2-60-M12-80-KSE	60	-	37.5	-	10	M12	80	17	33	465
GN 343.2-60-M12-100-KSE	60	-	37.5	-	10	M12	100	17	33	500
GN 343.2-60-M16-80-KSE	60	-	37.5	-	10	M16	80	24	62	490
GN 343.2-60-M16-100-KSE	60	-	37.5	-	10	M16	100	24	62	515
GN 343.2-60-M16-125-KSE	60	-	37.5	-	10	M16	125	24	62	550
GN 343.2-60-M20-98-KSE	60	-	37.5	-	10	M20	98	24	95	550
GN 343.2-60-M20-138-KSE	60	-	37.5	-	10	M20	138	24	95	580
GN 343.2-60-M20-158-KSE	60	-	37.5	-	10	M20	158	24	95	610
GN 343.2-60-M24-98-KSE	60	-	37.5	-	10	M24	98	24	95	610
GN 343.2-60-M24-138-KSE	60	-	37.5	-	10	M24	138	24	95	630
GN 343.2-60-M24-158-KSE	60	-	37.5	-	10	M24	158	24	95	650

# Static load stand for the value over which the applied load to the element, in certain use conditions, may cause plastic material deformation.