

# GN 343.1



EXTENDED RANGE

## Levelling elements



### • Base

Zinc-plated steel, blue passivated.

- Version **OS**: without plastic cap.
- Version **KS**: with natural white colour thermoplastic cap (Polyacetal POM), gliding.
- Version **KR**: with 73 Shore hardness thermoplastic rubber cap (Santoprene®), not-gliding.
- Version **KSE**: with natural white colour thermoplastic cap (Polyacetal POM), gliding, electrically conductive (antistatic).
- Version **KRE**: with 73 Shore hardness thermoplastic rubber cap (Santoprene®), not-gliding, electrically conductive (antistatic).

### • Ball joint

Zinc-plated steel, blue passivated, supplied assembled.

### • Specification of KSE / KRE

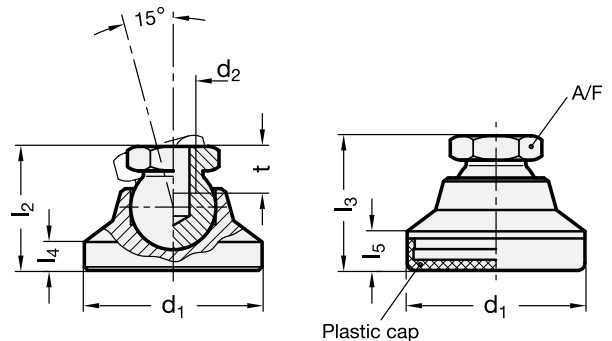
- Surface resistivity:  $< 10^6 \Omega$
- Volume resistivity:  $< 10^7 \Omega$
- DIN EN 61340-5-1 / 61340-2-3

### Features and applications

The static load of the GN 343.1 levelling element is limited by the load capacity of the ball joint (tensile strength 500 N/mm<sup>2</sup>).

The static load values shown in the table below refer to a net vertical load in relation to the ball socket and refer only to type OS, KS and KSE. Under normal operating conditions side loading or angular loading is not uncommon and the load capacity would be considerably reduced.

For higher loads, GN 343.1 should be used in conjunction with screws of higher tensile strength. We suggest the use of DIN 915 threaded stud with pressure pad. This pressure pad must be seated squarely at the bottom of the threaded hole, which will increase the load capacity of the ball in the socket.



Standard Elements Description	Main dimensions					Threaded hole		Wrench	Static load # in kN	⚖ g
	d <sub>1</sub>	l <sub>2</sub>	l <sub>3</sub>	l <sub>4</sub>	l <sub>5</sub>	d <sub>2</sub>	t min.	A/F		
GN 343.1-25-M6-KR	25	-	20.5	-	5.5	M6	9	12	7.5	40
GN 343.1-25-M8-KR	25	-	20.5	-	5.5	M8	9	12	10	35
GN 343.1-32-M8-KR	32	-	24.5	-	6.5	M8	9	12	10	85
GN 343.1-32-M10-KR	32	-	24.5	-	6.5	M10	10.5	15	20	75
GN 343.1-40-M10-KR	40	-	27.5	-	7.5	M10	10.5	15	20	120
GN 343.1-40-M12-KR	40	-	27.5	-	7.5	M12	11.5	17	30	110
GN 343.1-50-M10-KR	50	-	29.5	-	8.5	M10	10.5	15	20	170
GN 343.1-50-M12-KR	50	-	29.5	-	8.5	M12	11.5	17	30	160
GN 343.1-60-M12-KR	60	-	37.5	-	10	M12	11.5	17	30	335
GN 343.1-60-M16-KR	60	-	37.5	-	10	M16	16	24	30	320
GN 343.1-25-M6-KS	25	-	20.5	-	5.5	M6	9	12	7.5	35
GN 343.1-25-M8-KS	25	-	20.5	-	5.5	M8	9	12	14	30
GN 343.1-32-M8-KS	32	-	24.5	-	6.5	M8	9	12	14	75
GN 343.1-32-M10-KS	32	-	24.5	-	6.5	M10	10.5	15	23	65
GN 343.1-40-M10-KS	40	-	27.5	-	7.5	M10	10.5	15	23	120
GN 343.1-40-M12-KS	40	-	27.5	-	7.5	M12	11.5	17	33	110
GN 343.1-50-M10-KS	50	-	29.5	-	8.5	M10	10.5	15	23	185
GN 343.1-50-M12-KS	50	-	29.5	-	8.5	M12	11.5	17	33	175
GN 343.1-60-M12-KS	60	-	37.5	-	10	M12	11.5	17	33	335
GN 343.1-60-M16-KS	60	-	37.5	-	10	M16	16	24	62	320

Standard Elements Description	Main dimensions					Threaded hole		Wrench	Static load # in kN	△△ g
	d1	l2	l3	l4	l5	d2	f min.	A/F		
GN 343.1-25-M6-OS	25	19	-	4	-	M6	9	12	7.5	26
GN 343.1-25-M8-OS	25	19	-	4	-	M8	9	12	14	31
GN 343.1-32-M8-OS	32	23	-	5	-	M8	9	12	14	54
GN 343.1-32-M10-OS	32	23	-	5	-	M10	10.5	15	23	64
GN 343.1-40-M10-OS	40	26	-	6	-	M10	10.5	15	23	118
GN 343.1-40-M12-OS	40	26	-	6	-	M12	11.5	17	33	108
GN 343.1-50-M10-OS	50	28	-	7	-	M10	10.5	15	23	185
GN 343.1-50-M12-OS	50	28	-	7	-	M12	11.5	17	33	175
GN 343.1-60-M12-OS	60	36	-	8.5	-	M12	11.5	17	33	335
GN 343.1-60-M16-OS	60	36	-	8.5	-	M16	16	24	62	320
GN 343.1-25-M6-KRE	25	-	20.5	-	5.5	M6	9	12	7.5	40
GN 343.1-25-M8-KRE	25	-	20.5	-	5.5	M8	9	12	10	35
GN 343.1-32-M8-KRE	32	-	24.5	-	6.5	M8	9	12	10	85
GN 343.1-32-M10-KRE	32	-	24.5	-	6.5	M10	10.5	15	20	75
GN 343.1-40-M10-KRE	40	-	27.5	-	7.5	M10	10.5	15	20	120
GN 343.1-40-M12-KRE	40	-	27.5	-	7.5	M12	11.5	17	30	110
GN 343.1-50-M10-KRE	50	-	29.5	-	8.5	M10	10.5	15	20	170
GN 343.1-50-M12-KRE	50	-	29.5	-	8.5	M12	11.5	17	30	160
GN 343.1-60-M12-KRE	60	-	37.5	-	10	M12	11.5	17	30	335
GN 343.1-60-M16-KRE	60	-	37.5	-	10	M16	16	24	30	320
GN 343.1-25-M6-KSE	25	-	20.5	-	5.5	M6	9	12	7.5	35
GN 343.1-25-M8-KSE	25	-	20.5	-	5.5	M8	9	12	14	30
GN 343.1-32-M8-KSE	32	-	24.5	-	6.5	M8	9	12	14	75
GN 343.1-32-M10-KSE	32	-	24.5	-	6.5	M10	10.5	15	23	65
GN 343.1-40-M10-KSE	40	-	27.5	-	7.5	M10	10.5	15	23	120
GN 343.1-40-M12-KSE	40	-	27.5	-	7.5	M12	11.5	17	33	110
GN 343.1-50-M10-KSE	50	-	29.5	-	8.5	M10	10.5	15	23	185
GN 343.1-50-M12-KSE	50	-	29.5	-	8.5	M12	11.5	17	33	175
GN 343.1-60-M12-KSE	60	-	37.5	-	10	M12	11.5	17	33	335
GN 343.1-60-M16-KSE	60	-	37.5	-	10	M16	16	24	62	320

# Static load stand for the value over which the applied load to the element, in certain use conditions, may cause plastic material deformation.