

Levelling elements with fixing lug

RoHS

- **Base**
AISI 304 stainless steel, matte shotblasted.
- **Threaded stem**
AISI 303 stainless steel.
- **Assembly screw**
Stainless steel A2, glued.
- **Hexagon nut**
AISI 304 stainless steel.
- **No-slip disk**
NBR rubber (Perbunan®), hardness from 80 to 85 Shore, black colour.
- **Standard versions available**
 - Version **AG**: without nut and with black no-slip disk.
 - Version **BG**: with nut and with black no-slip disk.

Features and applications

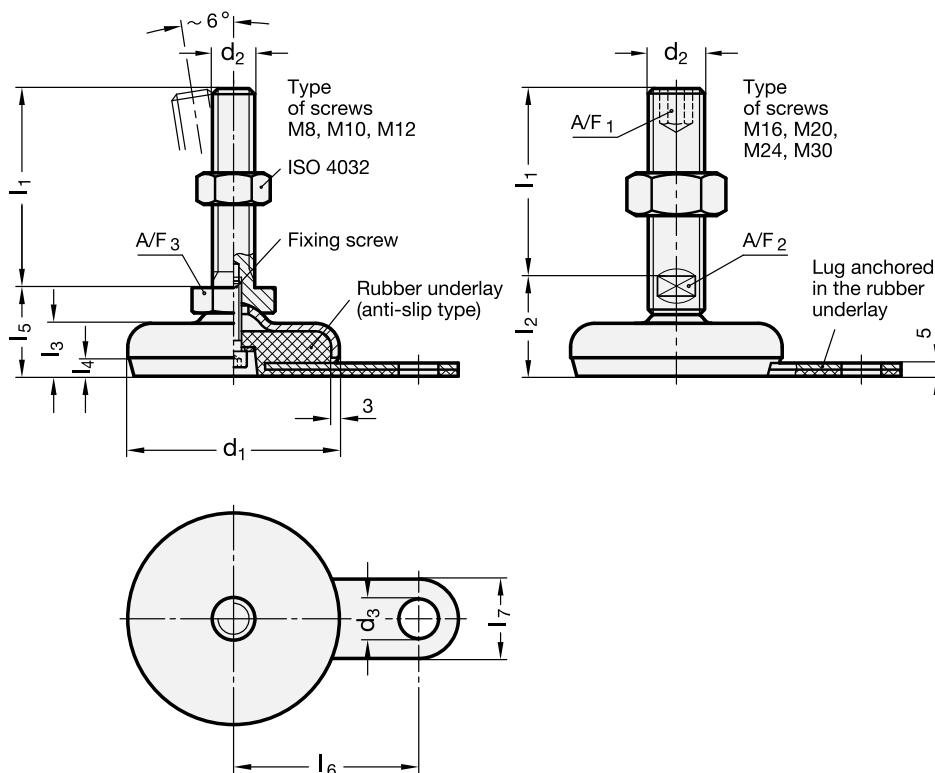
Levelling elements GN 340.6 feature a solid and massive rubber rest immovably embedded in the sheet metal cup and held in axial position with the clamping screw.

The spindle screw can be adjusted both at the upper end with an internal hexagonal spanner and at the bottom end with the key face.

The fixing lug anchored in the rubber rest allows the levelling foot to be bolted immovably to the floor.

The static load-bearing capacity is limited by the deformation of the sheet metal cup (sheet metal thickness 3 mm).

The values given in the table rest on a series of tests in which a load has been applied perpendicularly to the cup. After the load is released, minor deformations of the sheet metal cup differing from the values specified in the table may occur.



Standard Elements	Main dimensions								Wrench			Threaded stem		Static load in kN	△ #
Description	d1	d3	l2	l3	l4	l5	l6	l7	A/F1	A/F2	A/F3	d2	l1	g	
GN 340.6-50-M8-40-*	50	13	-	18	7	26	45	25	-	-	17	M8	40	8	95
GN 340.6-50-M8-50-*	50	13	-	18	7	26	45	25	-	-	17	M8	50	8	105
GN 340.6-50-M8-63-*	50	13	-	18	7	26	45	25	-	-	17	M8	63	8	115
GN 340.6-50-M10-50-*	50	13	-	18	7	26	45	25	-	-	17	M10	50	14	130
GN 340.6-50-M10-60-*	50	13	-	18	7	26	45	25	-	-	17	M10	60	14	140
GN 340.6-50-M10-80-*	50	13	-	18	7	26	45	25	-	-	17	M10	80	14	155
GN 340.6-50-M10-100-*	50	13	-	18	7	26	45	25	-	-	17	M10	100	14	175
GN 340.6-50-M12-60-*	50	13	-	18	7	26	45	25	-	-	17	M12	60	20	140
GN 340.6-50-M12-80-*	50	13	-	18	7	26	45	25	-	-	17	M12	80	20	160
GN 340.6-50-M12-100-*	50	13	-	18	7	26	45	25	-	-	17	M12	100	20	180
GN 340.6-50-M12-125-*	50	13	-	18	7	26	45	25	-	-	17	M12	125	20	210
GN 340.6-50-M16-75-*	50	13	32	18	7	-	45	25	8	12	-	M16	75	28	232
GN 340.6-50-M16-100-*	50	13	32	18	7	-	45	25	8	12	-	M16	100	28	265
GN 340.6-50-M16-125-*	50	13	32	18	7	-	45	25	8	12	-	M16	125	28	305
GN 340.6-50-M16-150-*	50	13	32	18	7	-	45	25	8	12	-	M16	150	28	340
GN 340.6-50-M16-200-*	50	13	32	18	7	-	45	25	8	12	-	M16	200	28	350
GN 340.6-60-M8-40-*	60	13	-	19	7	27	50	25	-	-	17	M8	40	8	140
GN 340.6-60-M8-50-*	60	13	-	19	7	27	50	25	-	-	17	M8	50	8	150
GN 340.6-60-M8-63-*	60	13	-	19	7	27	50	25	-	-	17	M8	63	8	160
GN 340.6-60-M10-50-*	60	13	-	19	7	27	50	25	-	-	17	M10	50	14	170
GN 340.6-60-M10-60-*	60	13	-	19	7	27	50	25	-	-	17	M10	60	14	180
GN 340.6-60-M10-80-*	60	13	-	19	7	27	50	25	-	-	17	M10	80	14	190
GN 340.6-60-M10-100-*	60	13	-	19	7	27	50	25	-	-	17	M10	100	14	210
GN 340.6-60-M12-60-*	60	13	-	19	7	27	50	25	-	-	17	M12	60	20	215
GN 340.6-60-M12-80-*	60	13	-	19	7	27	50	25	-	-	17	M12	80	20	216
GN 340.6-60-M12-100-*	60	13	-	19	7	27	50	25	-	-	17	M12	100	20	220
GN 340.6-60-M12-125-*	60	13	-	19	7	27	50	25	-	-	17	M12	125	20	230
GN 340.6-60-M16-75-*	60	13	33	19	7	-	50	25	8	12	-	M16	75	28	240
GN 340.6-60-M16-100-*	60	13	33	19	7	-	50	25	8	12	-	M16	100	28	315
GN 340.6-60-M16-125-*	60	13	33	19	7	-	50	25	8	12	-	M16	125	28	350
GN 340.6-60-M16-150-*	60	13	33	19	7	-	50	25	8	12	-	M16	150	28	390
GN 340.6-60-M16-200-*	60	13	33	19	7	-	50	25	8	12	-	M16	200	28	400
GN 340.6-80-M8-40-*	80	15	-	20	7	28	70	30	-	-	17	M8	40	8	250
GN 340.6-80-M8-50-*	80	15	-	20	7	28	70	30	-	-	17	M8	50	8	260
GN 340.6-80-M8-63-*	80	15	-	20	7	28	70	30	-	-	17	M8	63	8	270
GN 340.6-80-M10-50-*	80	15	-	20	7	28	70	30	-	-	17	M10	50	14	280
GN 340.6-80-M10-60-*	80	15	-	20	7	28	70	30	-	-	17	M10	60	14	290
GN 340.6-80-M10-80-*	80	15	-	20	7	28	70	30	-	-	17	M10	80	14	310
GN 340.6-80-M10-100-*	80	15	-	20	7	28	70	30	-	-	17	M10	100	14	320

Standard Elements Description	Main dimensions								Wrench			Threaded stem		Static load in kN	△ # g
	d1	d3	l2	l3	l4	l5	l6	l7	A/F1	A/F2	A/F3	d2	l1		
GN 340.6-80-M12-60-*	80	15	-	20	7	28	70	30	-	-	17	M12	60	20	325
GN 340.6-80-M12-80-*	80	15	-	20	7	28	70	30	-	-	17	M12	80	20	327
GN 340.6-80-M12-100-*	80	15	-	20	7	28	70	30	-	-	17	M12	100	20	330
GN 340.6-80-M12-125-*	80	15	-	20	7	28	70	30	-	-	17	M12	125	20	350
GN 340.6-80-M16-75-*	80	15	34	20	7	-	70	30	8	12	-	M16	75	19	365
GN 340.6-80-M16-100-*	80	15	34	20	7	-	70	30	8	12	-	M16	100	19	430
GN 340.6-80-M16-125-*	80	15	34	20	7	-	70	30	8	12	-	M16	125	19	465
GN 340.6-80-M16-150-*	80	15	34	20	7	-	70	30	8	12	-	M16	150	19	495
GN 340.6-80-M16-200-*	80	15	34	20	7	-	70	30	8	12	-	M16	200	19	520
GN 340.6-80-M20-75-*	80	15	34	20	7	-	70	30	10	15	-	M20	75	19	470
GN 340.6-80-M20-100-*	80	15	34	20	7	-	70	30	10	15	-	M20	100	19	525
GN 340.6-80-M20-125-*	80	15	34	20	7	-	70	30	10	15	-	M20	125	19	570
GN 340.6-80-M20-150-*	80	15	34	20	7	-	70	30	10	15	-	M20	150	19	635
GN 340.6-80-M20-200-*	80	15	34	20	7	-	70	30	10	15	-	M20	200	19	650
GN 340.6-80-M24-100-*	80	15	34	20	7	-	70	30	12	19	-	M24	100	19	660
GN 340.6-80-M24-125-*	80	15	34	20	7	-	70	30	12	19	-	M24	125	19	700
GN 340.6-80-M24-150-*	80	15	34	20	7	-	70	30	12	19	-	M24	150	19	800
GN 340.6-80-M24-200-*	80	15	34	20	7	-	70	30	12	19	-	M24	200	19	860
GN 340.6-100-M8-40-*	100	15	-	21	7	29	80	30	-	-	17	M8	40	8	420
GN 340.6-100-M8-50-*	100	15	-	21	7	29	80	30	-	-	17	M8	50	8	440
GN 340.6-100-M8-63-*	100	15	-	21	7	29	80	30	-	-	17	M8	63	8	460
GN 340.6-100-M10-50-*	100	15	-	21	7	29	80	30	-	-	17	M10	50	14	400
GN 340.6-100-M10-60-*	100	15	-	21	7	29	80	30	-	-	17	M10	60	14	420
GN 340.6-100-M10-80-*	100	15	-	21	7	29	80	30	-	-	17	M10	80	14	470
GN 340.6-100-M10-100-*	100	15	-	21	7	29	80	30	-	-	17	M10	100	14	520
GN 340.6-100-M12-60-*	100	15	-	21	7	29	80	30	-	-	17	M12	60	17	440
GN 340.6-100-M12-80-*	100	15	-	21	7	29	80	30	-	-	17	M12	80	17	490
GN 340.6-100-M12-100-*	100	15	-	21	7	29	80	30	-	-	17	M12	60	17	540
GN 340.6-100-M12-125-*	100	15	-	21	7	29	80	30	-	-	17	M12	80	17	590
GN 340.6-100-M16-75-*	100	15	35	21	7	-	80	30	8	12	-	M16	75	17	580
GN 340.6-100-M16-100-*	100	15	35	21	7	-	80	30	8	12	-	M16	100	17	560
GN 340.6-100-M16-125-*	100	15	35	21	7	-	80	30	8	12	-	M16	125	17	605
GN 340.6-100-M16-150-*	100	15	35	21	7	-	80	30	8	12	-	M16	150	17	635
GN 340.6-100-M16-200-*	100	15	35	21	7	-	80	30	8	12	-	M16	200	17	700
GN 340.6-100-M20-75-*	100	15	35	21	7	-	80	30	10	15	-	M20	75	17	600
GN 340.6-100-M20-100-*	100	15	35	21	7	-	80	30	10	15	-	M20	100	17	665
GN 340.6-100-M20-125-*	100	15	35	21	7	-	80	30	10	15	-	M20	125	17	700
GN 340.6-100-M20-150-*	100	15	35	21	7	-	80	30	10	15	-	M20	150	17	760
GN 340.6-100-M20-200-*	100	15	35	21	7	-	80	30	10	15	-	M20	200	17	860
GN 340.6-100-M24-100-*	100	15	35	21	7	-	80	30	12	19	-	M24	100	17	800
GN 340.6-100-M24-125-*	100	15	35	21	7	-	80	30	12	19	-	M24	125	17	900
GN 340.6-100-M24-150-*	100	15	35	21	7	-	80	30	12	19	-	M24	150	17	960
GN 340.6-100-M24-200-*	100	15	35	21	7	-	80	30	12	19	-	M24	200	17	1100

* Complete the description of the standard item needed by adding AG (without nut), BG (with nut).

The values reported in the table refer to the heaviest type BG.