

GN 340.1

Levelling elements with fixing lug



• Base

Zinc-plated steel, blue passivated. Sheet metal ST 12.03.

• Threaded stem

Steel, zinc-plated. Tensile strength 500 n/mm².

• Assembly screw

Stainless steel A2, glued.

• Hexagon nut

Zinc-plated steel, blue passivated, ISO 4032.

• No-slip disk

NBR rubber (Perbunan®), hardness from 80 to 85 Shore, black colour.

• Standard versions available

- Version **AG**: without nut and with black no-slip disk.

- Version **BG**: with nut and with black no-slip disk.

Features and applications

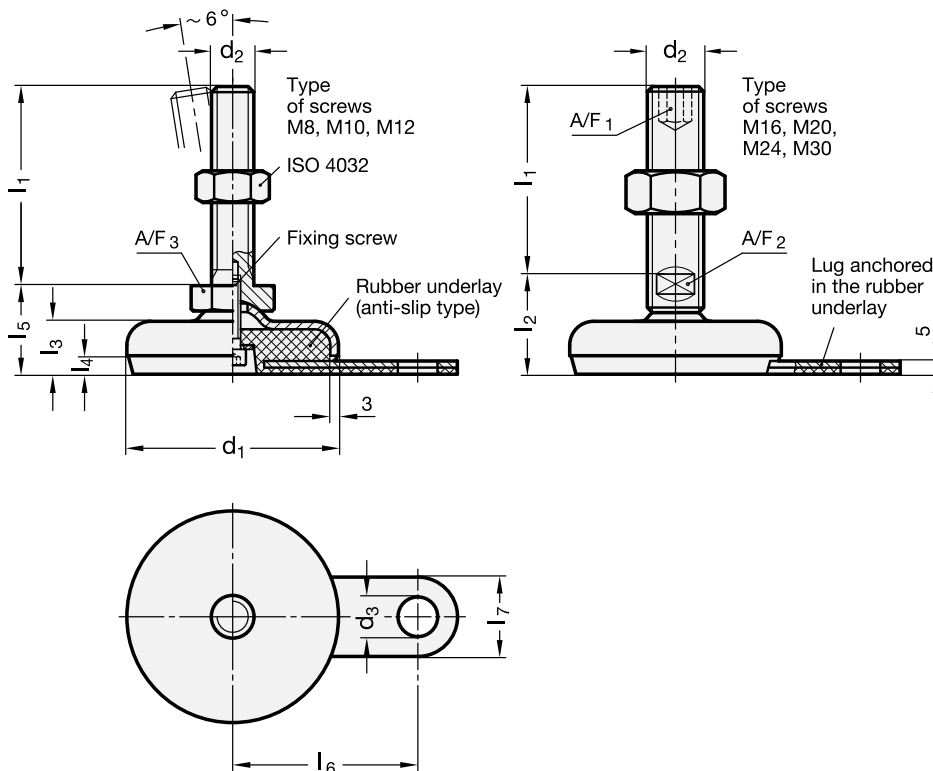
Levelling elements GN 340.1 feature a solid and massive rubber rest immovably embedded in the sheet metal cup and held in axial position with the clamping screw.

The spindle screw can be adjusted both at the upper end with an internal hexagonal spanner and at the bottom end with the key face.

The fixing lug anchored in the rubber rest allows the levelling foot to be bolted immovably to the floor.

The static load-bearing capacity is limited by the deformation of the sheet metal cup (sheet metal thickness 3 mm).

The values given in the table rest on a series of tests in which a load has been applied perpendicularly to the cup. After the load is released, minor deformations of the sheet metal cup differing from the values specified in the table may occur.



Standard Elements Description	Main dimensions								Wrench			Threaded stem		Static load in kN	△ # g
	d1	d3	l2	l3	l4	l5	l6	l7	A/F1	A/F2	A/F3	d2	l1		
GN 340.1-50-M8-40*	50	13	-	18	7	26	45	25	-	-	17	M8	40	8	95
GN 340.1-50-M8-50*	50	13	-	18	7	26	45	25	-	-	17	M8	50	8	105
GN 340.1-50-M8-63*	50	13	-	18	7	26	45	25	-	-	17	M8	63	8	115
GN 340.1-50-M10-50*	50	13	-	18	7	26	45	25	-	-	17	M10	50	10	130
GN 340.1-50-M10-60*	50	13	-	18	7	26	45	25	-	-	17	M10	60	10	140
GN 340.1-50-M10-80*	50	13	-	18	7	26	45	25	-	-	17	M10	80	10	155
GN 340.1-50-M10-100*	50	13	-	18	7	26	45	25	-	-	17	M10	100	10	175
GN 340.1-50-M12-60*	50	13	-	18	7	26	45	25	-	-	17	M12	60	12	140
GN 340.1-50-M12-80*	50	13	-	18	7	26	45	25	-	-	17	M12	80	12	160
GN 340.1-50-M12-100*	50	13	-	18	7	26	45	25	-	-	17	M12	100	12	180
GN 340.1-50-M12-125*	50	13	-	18	7	26	45	25	-	-	17	M12	125	12	210
GN 340.1-50-M16-75*	50	13	32	18	7	-	45	25	8	12	-	M16	75	16	232
GN 340.1-50-M16-100*	50	13	32	18	7	-	45	25	8	12	-	M16	100	16	265
GN 340.1-50-M16-125*	50	13	32	18	7	-	45	25	8	12	-	M16	125	16	305
GN 340.1-50-M16-150*	50	13	32	18	7	-	45	25	8	12	-	M16	150	16	340
GN 340.1-50-M16-200*	50	13	32	18	7	-	45	25	8	12	-	M16	200	16	350
GN 340.1-60-M8-40*	60	13	-	19	7	27	50	25	-	-	17	M8	40	8	140
GN 340.1-60-M8-50*	60	13	-	19	7	27	50	25	-	-	17	M8	50	8	150
GN 340.1-60-M8-63*	60	13	-	19	7	27	50	25	-	-	17	M8	63	8	160
GN 340.1-60-M10-50*	60	13	-	19	7	27	50	25	-	-	17	M10	50	10	170
GN 340.1-60-M10-60*	60	13	-	19	7	27	50	25	-	-	17	M10	60	10	180
GN 340.1-60-M10-80*	60	13	-	19	7	27	50	25	-	-	17	M10	80	10	190
GN 340.1-60-M10-100*	60	13	-	19	7	27	50	25	-	-	17	M10	100	10	210
GN 340.1-60-M12-60*	60	13	-	19	7	27	50	25	-	-	17	M12	60	12	215
GN 340.1-60-M12-80*	60	13	-	19	7	27	50	25	-	-	17	M12	80	12	216
GN 340.1-60-M12-100*	60	13	-	19	7	27	50	25	-	-	17	M12	100	12	220
GN 340.1-60-M12-125*	60	13	-	19	7	27	50	25	-	-	17	M12	125	12	230
GN 340.1-60-M16-75*	60	13	33	19	7	-	50	25	8	12	-	M16	75	16	240
GN 340.1-60-M16-100*	60	13	33	19	7	-	50	25	8	12	-	M16	100	16	315
GN 340.1-60-M16-125*	60	13	33	19	7	-	50	25	8	12	-	M16	125	16	350
GN 340.1-60-M16-150*	60	13	33	19	7	-	50	25	8	12	-	M16	150	16	390
GN 340.1-60-M16-200*	60	13	33	19	7	-	50	25	8	12	-	M16	200	16	400
GN 340.1-80-M8-40*	80	15	-	20	7	28	70	30	-	-	17	M8	40	8	250
GN 340.1-80-M8-50*	80	15	-	20	7	28	70	30	-	-	17	M8	50	8	260
GN 340.1-80-M8-63*	80	15	-	20	7	28	70	30	-	-	17	M8	63	8	270
GN 340.1-80-M10-50*	80	15	-	20	7	28	70	30	-	-	17	M10	50	10	280
GN 340.1-80-M10-60*	80	15	-	20	7	28	70	30	-	-	17	M10	60	10	290
GN 340.1-80-M10-80*	80	15	-	20	7	28	70	30	-	-	17	M10	80	10	310
GN 340.1-80-M10-100*	80	15	-	20	7	28	70	30	-	-	17	M10	100	10	320

Standard Elements Description	Main dimensions								Wrench			Threaded stem		Static load in kN	△ # g
	d1	d3	l2	l3	l4	l5	l6	l7	A/F1	A/F2	A/F3	d2	l1		
GN 340.1-80-M12-60-*	80	15	-	20	7	28	70	30	-	-	17	M12	60	12	325
GN 340.1-80-M12-80-*	80	15	-	20	7	28	70	30	-	-	17	M12	80	12	327
GN 340.1-80-M12-100-*	80	15	-	20	7	28	70	30	-	-	17	M12	100	12	330
GN 340.1-80-M12-125-*	80	15	-	20	7	28	70	30	-	-	17	M12	125	12	350
GN 340.1-80-M16-75-*	80	15	34	20	7	-	70	30	8	12	-	M16	75	12	365
GN 340.1-80-M16-100-*	80	15	34	20	7	-	70	30	8	12	-	M16	100	12	430
GN 340.1-80-M16-125-*	80	15	34	20	7	-	70	30	8	12	-	M16	125	12	465
GN 340.1-80-M16-150-*	80	15	34	20	7	-	70	30	8	12	-	M16	150	12	495
GN 340.1-80-M16-200-*	80	15	34	20	7	-	70	30	8	12	-	M16	200	12	520
GN 340.1-80-M20-75-*	80	15	34	20	7	-	70	30	10	15	-	M20	75	12	470
GN 340.1-80-M20-100-*	80	15	34	20	7	-	70	30	10	15	-	M20	100	12	525
GN 340.1-80-M20-125-*	80	15	34	20	7	-	70	30	10	15	-	M20	125	12	570
GN 340.1-80-M20-150-*	80	15	34	20	7	-	70	30	10	15	-	M20	150	12	635
GN 340.1-80-M20-200-*	80	15	34	20	7	-	70	30	10	15	-	M20	200	12	650
GN 340.1-80-M24-100-*	80	15	34	20	7	-	70	30	12	19	-	M24	100	12	660
GN 340.1-80-M24-125-*	80	15	34	20	7	-	70	30	12	19	-	M24	125	12	700
GN 340.1-80-M24-150-*	80	15	34	20	7	-	70	30	12	19	-	M24	150	12	800
GN 340.1-80-M24-200-*	80	15	34	20	7	-	70	30	12	19	-	M24	200	12	860
GN 340.1-100-M8-40-*	100	15	-	21	7	29	80	30	-	-	17	M8	40	8	420
GN 340.1-100-M8-50-*	100	15	-	21	7	29	80	30	-	-	17	M8	50	8	440
GN 340.1-100-M8-63-*	100	15	-	21	7	29	80	30	-	-	17	M8	63	8	460
GN 340.1-100-M10-50-*	100	15	-	21	7	29	80	30	-	-	17	M10	50	10	400
GN 340.1-100-M10-60-*	100	15	-	21	7	29	80	30	-	-	17	M10	60	10	420
GN 340.1-100-M10-80-*	100	15	-	21	7	29	80	30	-	-	17	M10	80	10	470
GN 340.1-100-M10-100-*	100	15	-	21	7	29	80	30	-	-	17	M10	100	10	520
GN 340.1-100-M12-60-*	100	15	-	21	7	29	80	30	-	-	17	M12	60	11	440
GN 340.1-100-M12-80-*	100	15	-	21	7	29	80	30	-	-	17	M12	80	11	490
GN 340.1-100-M12-100-*	100	15	-	21	7	29	80	30	-	-	17	M12	60	11	540
GN 340.1-100-M12-125-*	100	15	-	21	7	29	80	30	-	-	17	M12	80	11	590
GN 340.1-100-M16-75-*	100	15	35	21	7	-	80	30	8	12	-	M16	75	11	480
GN 340.1-100-M16-100-*	100	15	35	21	7	-	80	30	8	12	-	M16	100	11	560
GN 340.1-100-M16-125-*	100	15	35	21	7	-	80	30	8	12	-	M16	125	11	605
GN 340.1-100-M16-150-*	100	15	35	21	7	-	80	30	8	12	-	M16	150	11	635
GN 340.1-100-M16-200-*	100	15	35	21	7	-	80	30	8	12	-	M16	200	11	700
GN 340.1-100-M20-75-*	100	15	35	21	7	-	80	30	10	15	-	M20	75	11	600
GN 340.1-100-M20-100-*	100	15	35	21	7	-	80	30	10	15	-	M20	100	11	665
GN 340.1-100-M20-125-*	100	15	35	21	7	-	80	30	10	15	-	M20	125	11	700
GN 340.1-100-M20-150-*	100	15	35	21	7	-	80	30	10	15	-	M20	150	11	760
GN 340.1-100-M20-200-*	100	15	35	21	7	-	80	30	10	15	-	M20	200	11	860
GN 340.1-100-M24-100-*	100	15	35	21	7	-	80	30	12	19	-	M24	100	11	800
GN 340.1-100-M24-125-*	100	15	35	21	7	-	80	30	12	19	-	M24	125	11	900
GN 340.1-100-M24-150-*	100	15	35	21	7	-	80	30	12	19	-	M24	150	11	960
GN 340.1-100-M24-200-*	100	15	35	21	7	-	80	30	12	19	-	M24	200	11	1100

* Complete the description of the standard item needed by adding AG (without nut), BG (with nut).

The values reported in the table refer to the heaviest type BG.