

Hook clamps



• Standard executions

- **TLA:** basic hook clamp.
 - **TLAL:** hook clamp with padlock hole.
 - **TLAS:** hook clamp with security stop and technopolymer push button in RAL 3000 red colour or with stainless steel spring.
- Indexes to add to the above-mentioned standard executions:
- **Z:** lever body and bracket in zinc-plated steel.
 - **S:** lever body and bracket in AISI 304 stainless steel.
 - **NH:** lever body and bracket in nickel-plated steel.

Special executions on request

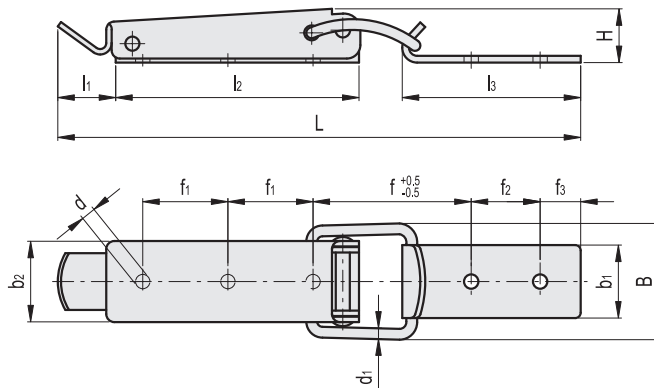
- Unplated steel hook clamps.
- Catch brackets in different shapes and finishes.



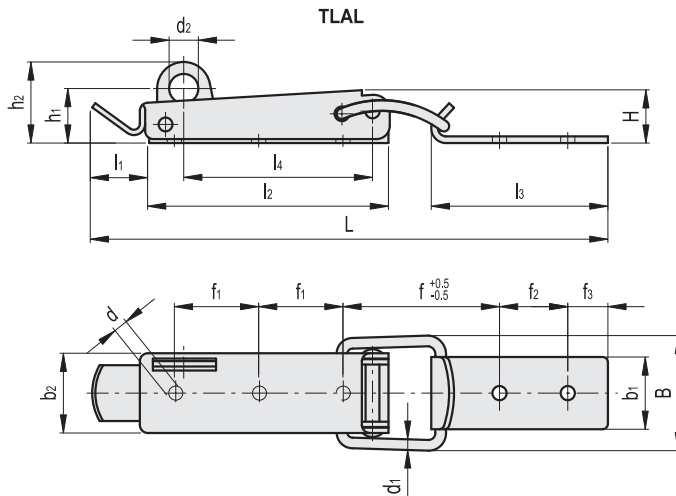
14
674

Hook, toggle and power clamps

TLA



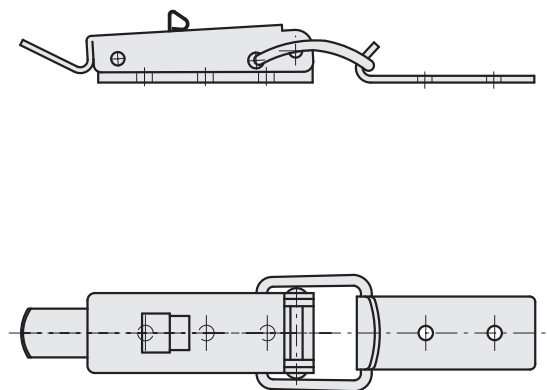
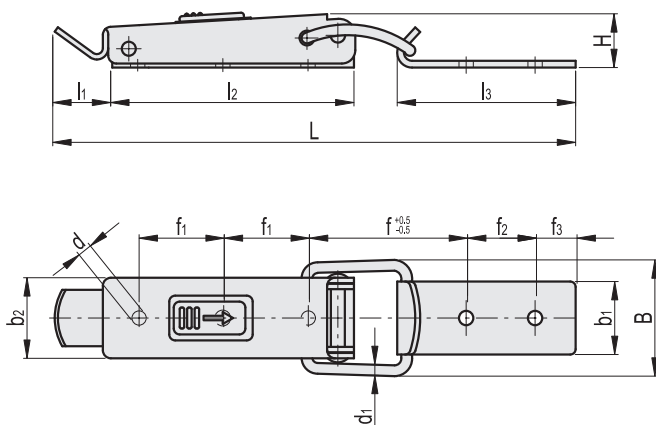
Standard Elements				Main dimensions													Maximum working load	Load at breakage	⚖	
Code	Description	Code	Description	L	B	H	b ₁	b ₂	d ₁	l ₁	l ₂	l ₃	d	f	f ₁	f ₂	f ₃	[N]	[N]	g
420081	TLA.Z-16.4/102+R	420082	TLA.SST-16.4/102+R	102	23	11	13	16.4	2	16	44	30	3.2	34.5	12.5	12	5	550	1200	31
420061	TLA.Z-23/140.5+R	420062	TLA.SST-23/140.5+R	140.5	34	12.5	19	23	3	16	70	43	4.1	38	22.5	20	8	1500	3000	78
420051	TLA.Z-30/193.5+R	420052	TLA.SST-30/193.5+R	193.5	43	19	27	30	4	21.5	90	66	5.3	58.5	31.5	25.5	15	2000	4000	188



Standard Elements				Main dimensions																	Maximum working load	Load at breakage	△△	
Code	Description	Code	Description	L	B	H	b1	b2	d1	l1	l2	l3	d	f	f1	f2	f3	d2	h1	h2	l4	[N]	[N]	g
420085	TLAL.Z-16.4/102+R	420086	TLAL.SST-16.4/102+R	102	23	11	12	16.4	2	16	44	30	3.2	34.5	12.5	12	5	4	11.5	15.5	34.5	550	1200	32
420063	TLAL.Z-23/140.5+R	420064	TLAL.SST-23/140.5+R	140.5	34	12.5	19	23	3	16	70	43	4.1	38	22.5	20	8	7	13	20	55	1500	3000	79
420053	TLAL.Z-30/193.5+R	420054	TLAL.SST-30/193.5+R	193.5	43	19	27	30	4	21.5	90	66	5.3	58.5	31.5	25.5	15	11	20.5	30.5	71	2000	4000	189

TLAS.NH-30/193.5+R
TLAS.SST-30/193.5+R

TLAS.Z-16.4/102+R
TLAS.SST-16.4/102+R



Standard Elements				Main dimensions																	Maximum working load	Load at breakage	△△	
Code	Description	Code	Description	L	B	H	b1	b2	d1	l1	l2	l3	d	f	f1	f2	f3	d2	h1	h2	l4	[N]	[N]	g
420083	TLAS.Z-16.4/102+R	420084	TLAS.SST-16.4/102+R	102	23	11	13	16.4	2	16	44	30	3.2	34.5	12.5	12	5					550	1200	32
420055	TLAS.NH-30/193.5+R	420056	TLAS.S-30/193.5+R	193.5	43	19	27	30	4	21.5	90	66	5.3	58.5	31.5	25.5	15					2000	4000	189