

# GN 872

EXTENDED RANGE

## Clamping jaws blank

RoHS

### Material

Black-oxide steel C45.

### Accessories on request

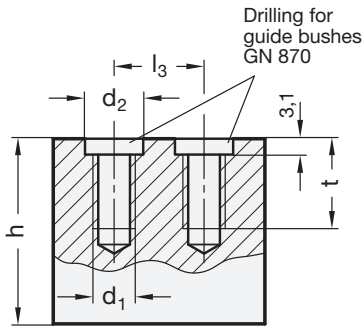
Guide bushes GN 870 (see page 672) to be ordered separately.

### Features and applications

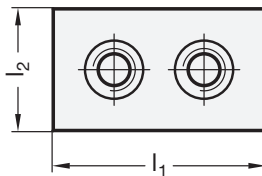
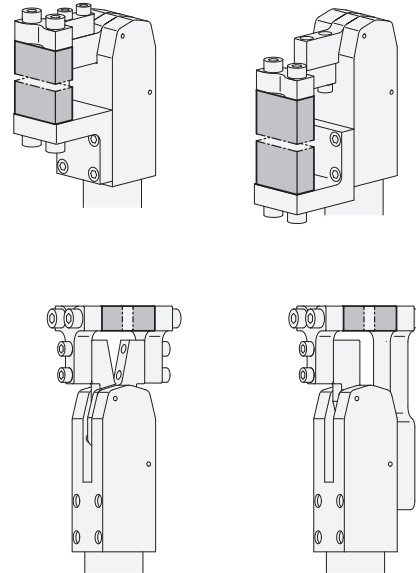
Clamping jaws blank GN 872 are manufactured to meet the dimensions of the accessories for clamping arms and static holders. In general they are re-worked into the required shape.



MiSATi



Mounting examples



14  
670

Hook, toggle and power clamps

Standard Elements	Main dimensions							△△
Description	l <sub>1</sub>	h	d <sub>1</sub>	d <sub>2</sub> H8/h6	l <sub>2</sub>	l <sub>3</sub> ±0.01	t	g
GN 872-30-25	30	25	M6	9	13	17	8	70
GN 872-30-50	30	50	M6	9	13	17	8	150
GN 872-40-35	40	35	M8	11	17	23	12	180
GN 872-40-70	40	70	M8	11	17	23	12	370
GN 872-50-45	50	45	M10	13	20	30	15	350
GN 872-50-80	50	80	M10	13	20	30	15	620
GN 872-60-50	60	50	M10	13	20	40	15	470
GN 872-60-85	60	85	M10	13	20	40	15	800