

GN 869.2

EXTENDED RANGE

Holders for clamping jaws

RoHS

- **Material**

Black-oxide steel C45.

- **Parts included in the supply**

Hexagon socket head cap screws DIN 912 and guide bushes GN 870 (see page 672).

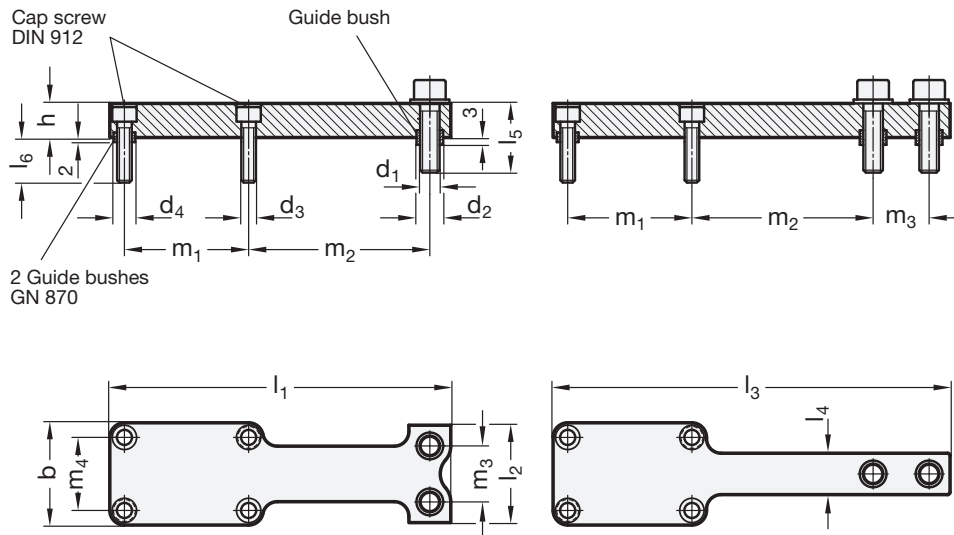
- **Clamping jaws**

- Type **R**: clamping jaws at right angle to clamping arm.
- Type **P**: clamping jaws parallel to clamping arm.

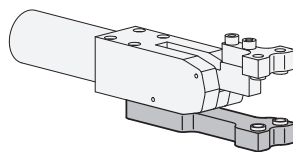
Features and applications

The holders for clamping jaws GN 869.2 have been designed for use with power clamps GN 865 (see page 661).

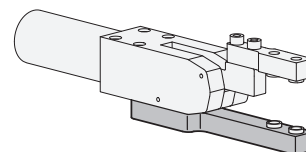
Clamping jaw holders are equally precisely positioned on the clamping arm as are the clamping jaws GN 872 (see page 670) on the holders themselves.



Mounting examples



Type R



Type P

Standard Elements	Main dimensions																△△
Description	b -0.2	d1	d2 H8/h6	d3	d4 H8/h6	h	l1	l2	l3	l4	l5	l6	m1	m2	m3	m4	g
GN 869.2-32-R	32	M6	9	M5	7	10	98.5	30	-	-	18.5	8	34	53	17	22	150
GN 869.2-32-P	32	M6	9	M5	7	10	-	-	115.5	13	18.5	8	34	53	17	22	150
GN 869.2-42-R	42	M8	11	M6	9	14	140	40	-	-	23.5	8.5	51	74.4	23	30	400
GN 869.2-42-P	42	M8	11	M6	9	14	-	-	163	17	23.5	8.5	51	74.4	23	30	370
GN 869.2-52-R	52	M10	13	M8	11	16	168	50	-	-	28	12.5	62	88.5	30	37	900
GN 869.2-52-P	52	M10	13	M8	11	16	-	-	198	20	28	12.5	62	88.5	30	37	720
GN 869.2-62-R	62	M10	13	M10	13	18	192.5	60	-	-	28	12.5	71.5	102	40	44	1030
GN 869.2-62-P	62	M10	13	M10	13	18	-	-	232.5	20	28	12.5	71.5	102	40	44	770